

SAFETY ADVICE

4

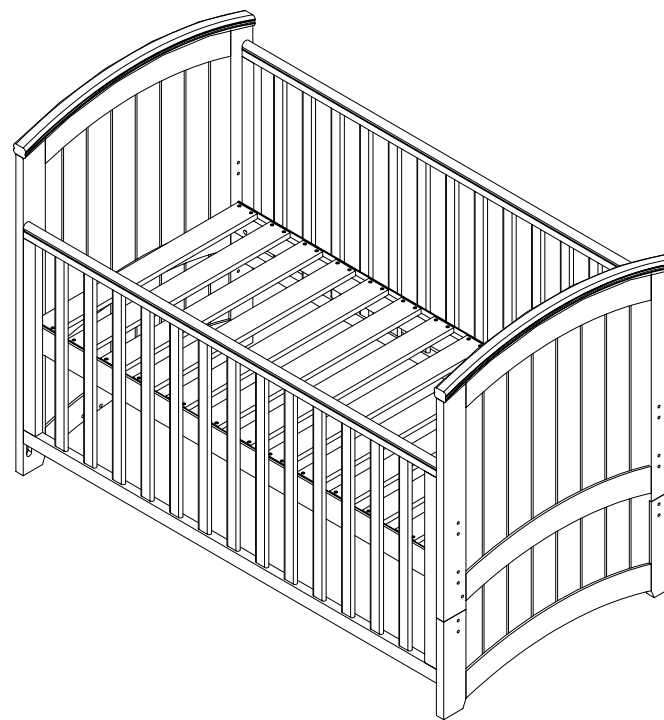
- 1) The bottom mattress base position is the safest. You should always use the cot in this lowest position as soon as your baby is old enough to sit up.
- 2) Never leave anything in the cot or attached to the sides, that could provide a foothold, or present a danger of strangulation or suffocation.
- 3) When choosing a mattress, ensure that the height between the surface of the mattress and the top edge of the cot side is at least 50cm for the lowest position and 20cm in the upper position.
- 4) There should never be a gap of more than 3cm between the mattress and the sides or ends of the cot.
- 5) Regularly check that nuts & bolts are secure or evidence of damage, which could make the bed unsafe or cause splinters.. Lose fittings can result in snagging clothes or cords posing a risk of strangulation.
- 6) The maximum height (i.e. upper surface) of any mattress fitted must not exceed the line engraved on the inside of the cot leg.
- 7) Do not put cot in close proximity to heat sources e.g. open fires, radiators, gas and electric heaters etc.
- 8) Clean with a damp cloth. Do not use abrasives or bleach.
- 9) Warning: your children's safety is your responsibility.
- 10) If you leave the child unattended in the cot, always make sure that the dropside is in the highest position
- 11) Do not leave anything in the cot which could provide a foothold or present a danger of suffocation or strangulation.
- 12) WARNING:Do not use the cot if any part is broken,torn or missing and use only spare parts approved by the manufacturer.
- 13) WARNING:Do not use more than one mattress in the cot.
- 14) To prevent child injury from falls,the cot should not be used when a child can climb out from the cot.
- 15) Excessive Chewing may damage the wood and cause splintering.If any part is damaged,stop using the cot untill the correct part has been replaced.

THIS PRODUCT HAS BEEN DESIGNED AND MANUFACTURED TO MEET BS EN716-1 & 2: 2008

Code no: 211095

TUTTI
BAMBINI

BARCELONA DROP SIDE COT BED



**IMPORTANT RETAIN FOR FUTURE
REFERENCE - READ CAREFULLY**

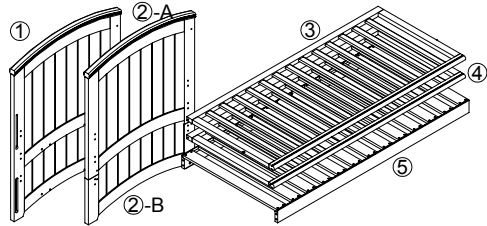
NEW SOUTHGATE

TUTTI
BAMBINI

LONDON N11 1QD

IMPORTANT- RETAIN FOR FUTURE REFERENCE- READ CAREFULLY.

List of parts



Hardware list

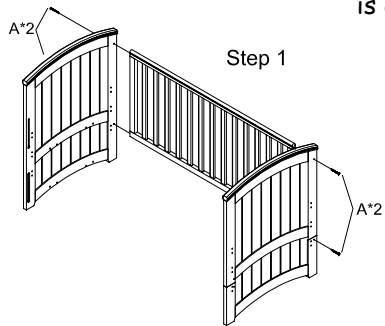
ID #	Image	Qty
A		12 pc
B		1 set
C		12 pc
D		1 pc
E		8 pc

NOTICE: All assembly fittings should always be tightened properly and that care should be taken that no bolts are loose, because a child could trap parts of the body or clothing (eg strings, necklaces, ribbons, for babies dummies), which could pose a risk of strangulation. Unpack the cot and identify all the components against the parts and fittings list shown above. **Do not discard any packing until you are sure you have identified all the components.** Make sure you have: 1) fixed Left end; 2) A & B Detachable Right End; 3) Drop side rail 4) Fixed Side rail ; 5) Mattress Base; A) 12 x 89mm Bolts; B) Preattached Long barrel Nut and 2 Bolts (Located in Detachable end) C) 12 Barrel Nuts, D) Allen Key. E). 8 plastic insert for mattress base barrel nut

ASSEMBLING INTO A COT

2

The help of an assistant will aid assembly. Do not tighten screws until assembly is complete.



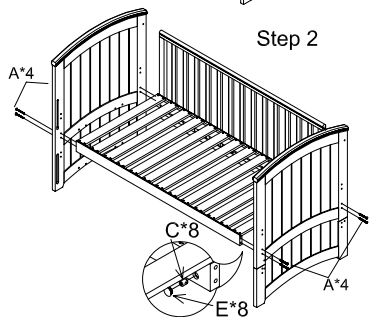
Step 1

Step 1: Fixed Side Assembly.

Take the 2 Ends and connect to Fixed Side Rail 4 using 2 X A Bolts on each End and 2 x C Barrel Nuts which are inserted underneath side rail bar and aligned to the holes of the side rail - The line on one end of the nut indicates the position of the threaded hole. It is advisable to push the nut into its appropriate hole and check for correct alignment before attempting to insert any Bolts

Step 2: Mattress Base Assembly.

Place Mattress Base no 5 on one of the three base positions using 4 x A bolts and 4 x C Barrel Nuts on Each end and align the bolts to the nuts Remember bottom mattress base position is the safest. You should always use the cot in this lowest position as soon as your baby is old enough to sit up Use plastic inserts no E to fill the barrel nut hole As shown.



Step 2

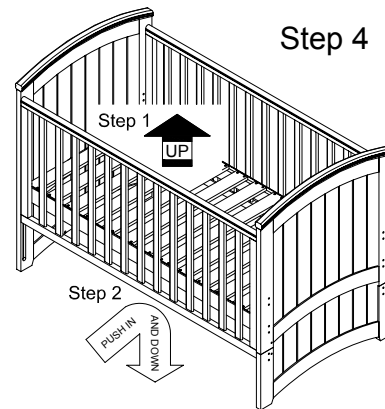


Step 3

Step 3: Drop side Assembly.

Take drop side rail 3 and carefully align the two metal pins located on each side of the rail to the two channels located on each end. When pins are fully engaged to cot end, begin to tighten all bolts using Allen Key ref D

YOUR COT IS NOW READY FOR USE



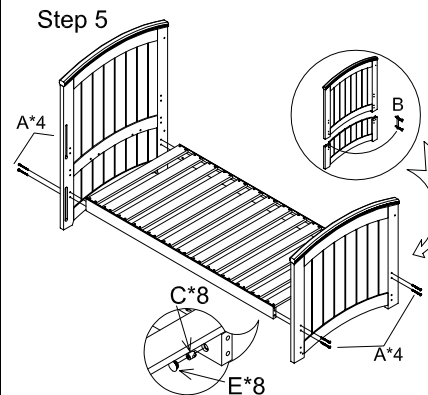
Step 4

Step 4: Operating the Drop side rail.

With your hand holding the centre of the rail, lift rail upwards. With the outside of your leg pushed against the centre of the lower part of the rail, push inward and at the same time push hand down until the drop side rail is lowered. To raise rail, place hand in centre of rail and push upward. **If you leave the child unattended in the cot, always make sure that the dropside is in the highest position.**

ASSEMBLING INTO A BED

3



Step 5

Remove Fixed and Drop sides 3 & 4 from the cot by loosening all the bolts.. With Allen Key ref D, detach ends A & B of Cot Ends 2 by removing the two sets of short bolts located on the drop side ends and allowing you to remove item B.

You will now be able to detach part A and part B of Ends 2 and remove the 2 long nut sitting inside the drop side legs You have now made ready the lower part of the bed. Reposition the mattress base so that it is now level to the new position for the use as a bed.

YOUR BED IS NOW READY FOR USE