

5

CARE AND MAINTENANCE

To clean the highchair, the use of a damp cloth is recommended. The appearance of the highchair will be maintained by the occasional application of a wax polish.

No lubrication of the locking mechanism is necessary.

Periodically check the highchair for; security of all components, correct operation and freedom of movement of all locking devices and excessive wear of components.

6

SAFETY NOTES

WARNING

Your children's safety is your responsibility.

This highchair has been designed to meet the standard of BSEN 14988:2006.

Do not leave the child unattended when using this highchair.

Do not use this highchair until your child is able to sit up unaided.

Do not place too close to a source of heat such as electric bar fires, gas fires etc.

Do not use the highchair unless all components are correctly fitted and adjusted.

Ensure that the child is always restrained by the crotch, waist and shoulder straps provided.

Do not position in close proximity to trailing flexes, electric irons, ornaments or other obstacles.

The highchair must always be used on a stable level surface.

Do not use the highchair if any part is broken, torn or missing.

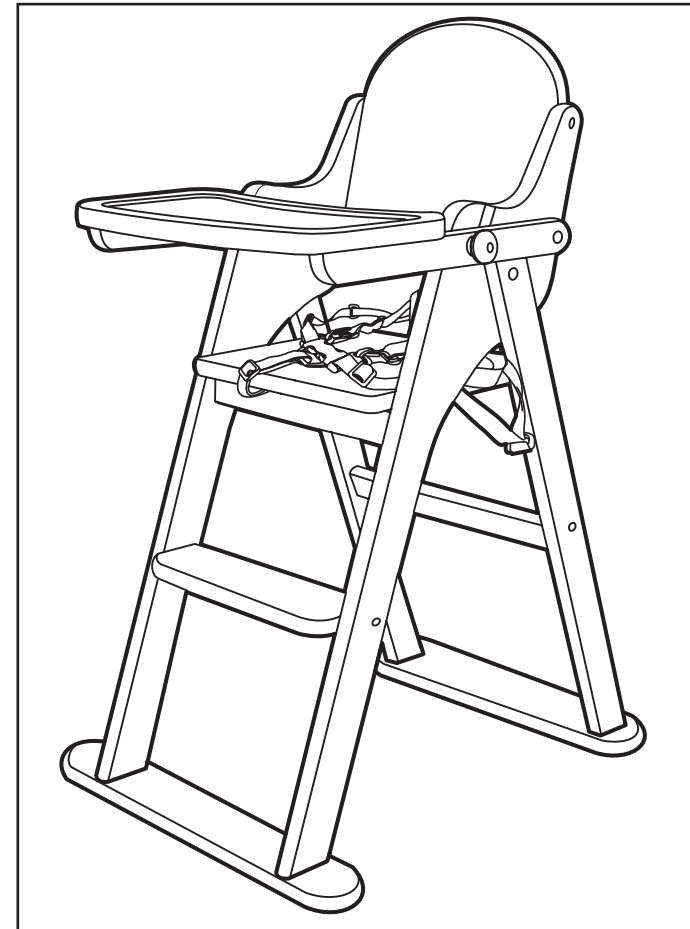
When not in use, store safely away and do not allow to be used as a toy or climbing frame.

Customer care hotline for this product 01692 408802

East Coast Nursery Ltd. Robertson House, North Walsham, Norfolk,
NR28 0BX

LF 86r4

Folding Highchair



e a s t
c o a s t

IMPORTANT!

KEEP FOR FUTURE REFERENCE.

1

IMPORTANT NOTES

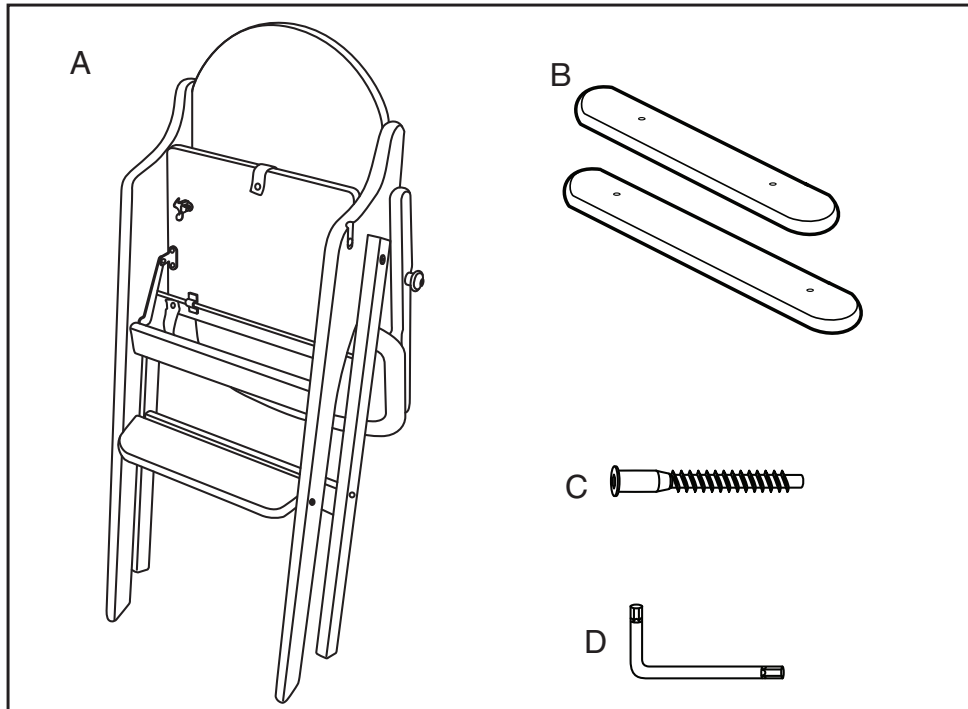
THIS HIGHCHAIR CONFORMS TO BSEN 14988:2006
SAFETY STANDARD FOR HIGHCHAIRS.

BEFORE USING YOUR FOLDING HIGHCHAIR, PLEASE READ ALL
INSTRUCTIONS AND SAFETY NOTES CAREFULLY

PLEASE DISPOSE OF PACKAGING MATERIAL-
PLASTIC BAGS CAN BE DANGEROUS TO YOUNG CHILDREN

2

PARTS LIST

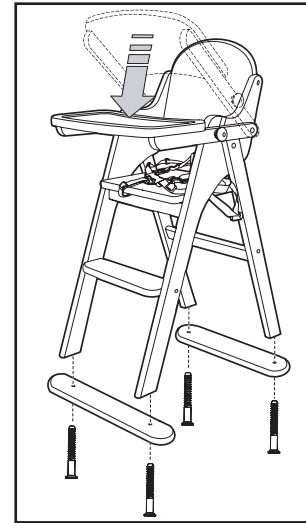


A - Main Frame x 1 C - Foot Screws x 4

B - Chair Feet x 2 D - Hexagon Key x 1

3

ASSEMBLY



To prepare the Highchair for use, unfold the legs and push down on the seat base to lock in the open position. Attach the two feet with the screws (C) supplied and tighten with the hexagon key (D). The two feet (B) have holes drilled in different positions to fit the front and rear legs.

Ensure that the holes in the feet line up with the holes in the bottoms of the legs before securing. To use the tray, fold over and push down to lock into place. Ensure the tray is located in position before placing your child on the seat. The tray should then remain in the locked position until your child has been safely removed.

NOTE: To avoid marking the finish of your highchair, keep the tray locking pins pulled out whilst rotating the tray.

4

INSTRUCTIONS FOR USE

The child must always wear the waist, shoulder and crotch straps provided. Ensure that the two ends of the waist strap are fastened into the buckle on top of the crotch strap and the shoulder straps are attached to the two halves of the waist straps. Adjust for security. Ensure that the straps run directly from the attachment points on the chair to your child's body and are not passed around any part of the highchair or any cushions or inserts you are using.

To fold the highchair for storage;

- 1) Pull out the tray securing knobs and fold the tray over to the rear.
- 2) Reach under the seat and release the seat catch whilst lifting the seat and folding the legs together.

