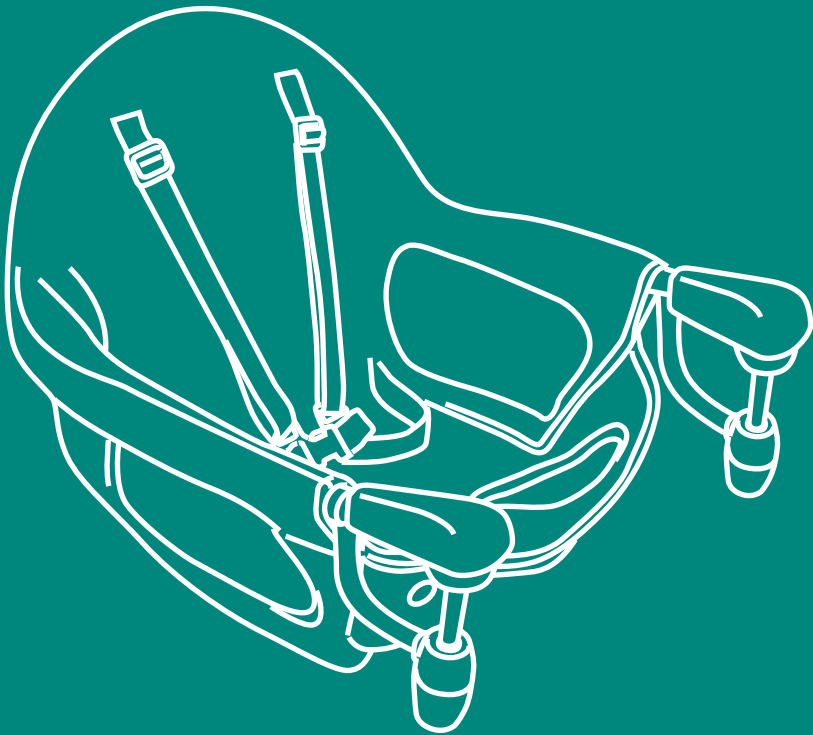


mothercare



portable table seat

user guide

Read the instructions carefully before use  
and keep them for future reference.  
Your child may be hurt if you do not follow the instructions.

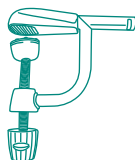
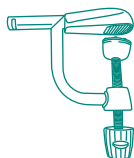
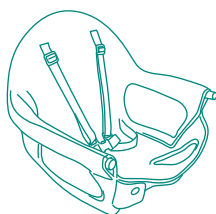
This table mounting chair allows your child to sit with you when using a table, by securing onto the edge of the table\*.

Suitable for children who can sit unaided (around six to nine months) to 15 kg.

\* Refer to section 6, safety notes for information on suitable tables before using the table mounting chair.

WARNING! Keep plastic coverings away from children to avoid suffocation.

## diagram



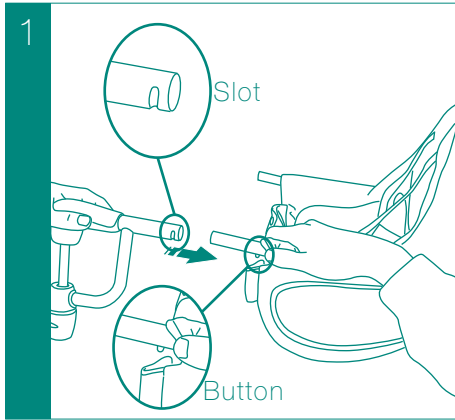
## description

seat & frame

clamp arm - right

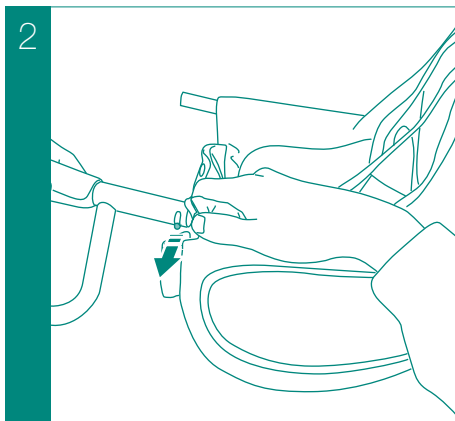
clamp arm - left

## frame assembly



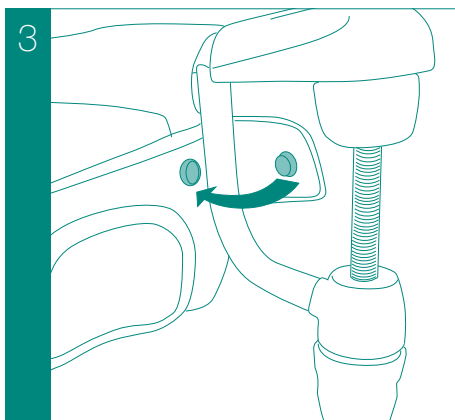
Slide the left clamp on to the left side of the seat frame.

Note the position of the slot in relation to the button. Once fitted, the clamps must be able to fold upwards as shown in diagram 1 on page 3.



Secure the clamp arm by pressing the button and pushing the clamp arm on until the button fits through the slot as shown left.

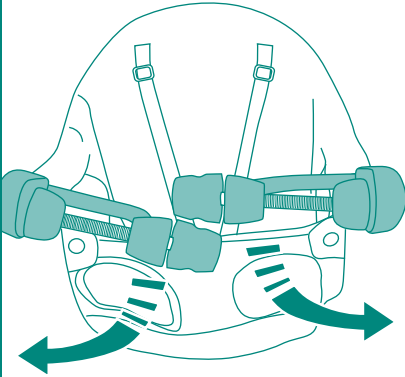
Repeat for the right clamp arm.



Wrap each of the fabric flaps around the clamp arms and fasten the press studs.

## fitting to the table

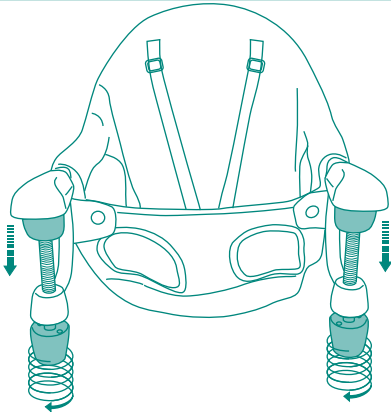
1



Before fitting to any table, ensure you have read the table safety information in section 6 of this user guide.

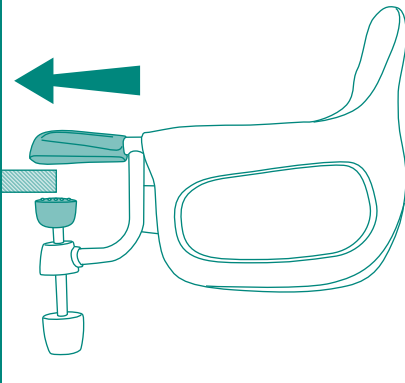
Open the assembled frame out as shown.

2



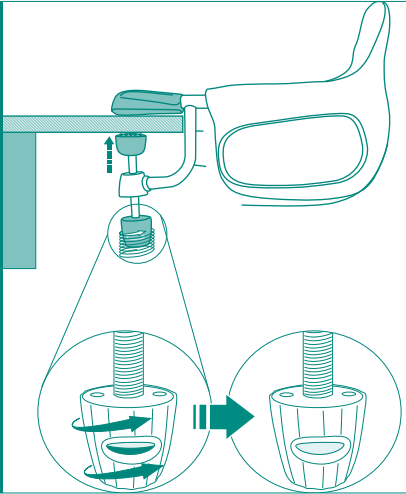
Unscrew both clamps to suit the thickness of table that the table mounted chair will be fitted to.

3



Slide the table mounted chair on to the table until the edge of the table is touching the vertical tubes as shown in diagram 4 on the next page.

4



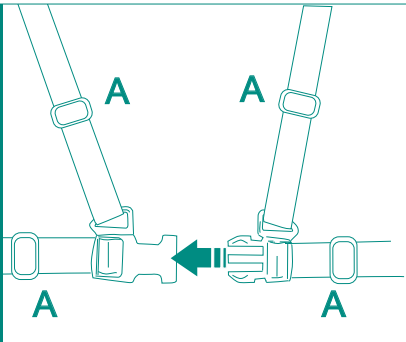
Screw both clamps upwards until they contact the underside of the table.

Check that the seat has not moved, then continue tightening the clamps until the pressure indicators show only green in the windows on the knobs, as indicated left.

Regularly check that the clamps have not loosened and re-adjust as necessary.

## the harness

5

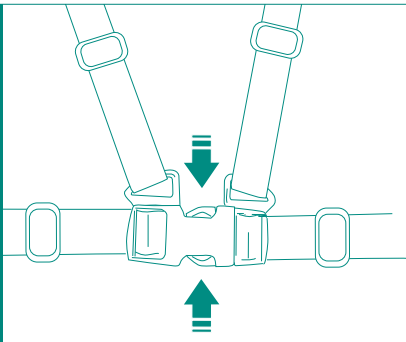


To fasten

Insert the fastener securely into the clasp.

The length of the shoulder and waist straps can be adjusted using adjusters A.

6



To release

Squeeze the prongs together to release the harness.

Your child should always be harnessed in and should never be left unattended even for short periods.

- If the table mounted chair is left secured to a table for a prolonged period, it might leave marks on the table surface. It is advisable to remove the seat from the table when not in use.
- The seat fabric can be cleaned in accordance with the care instructions on the seat.
- The seat frame can be cleaned by sponging with warm water and a mild detergent. A mild disinfectant may be used. Stubborn marks may be removed with a non-abrasive cream cleaner. Never clean with abrasive, ammonia based, bleach based or spirit type cleaners.
- Periodically check for damage and discontinue use if any part is damaged or broken.

- **WARNING! YOUR CHILD'S SAFETY IS YOUR RESPONSIBILITY.**
- **WARNING!** Never leave the child unattended in this table mounted chair, even for the shortest time.
- The table mounted chair must be fully secured on the table before placing a child inside.
- The table surface should be between 18 mm (3/4") and 50 mm (2") thick, and be free of cracks, splits or defects liable to affect its strength.
- Check that the table will not tip when the table mounting chair, attached to it, is in use.
- Do not use on glass topped tables, tables with loose table tops, table leaves, single pedestal tables, card tables or camping tables.
- Do not use tablecloths or other objects on the support surface which might interfere with the proper functioning of the anchoring elements.
- Keep the table structure and surface clean and dry.
- The table mounted chair is not suitable for children who cannot sit unaided.
- The table mounted chair shall not be used by children weighing more than 15kg.
- Routinely check the clamping screws and re-tighten them, if required. Check also the upper pads.
- Do not attach the table mounted chair where the child might use its feet to push against a part of the table, another chair or any other structure, as this could cause the table mounted chair to come off the table.
- Ensure the harness is correctly fitted and adjusted at all times.
- **WARNING!** Do not use the table mounted chair if any part is broken or missing.
- Do not use replacement parts other than those approved by Mothercare.
- Ensure that anyone using this chair is aware of these instructions.