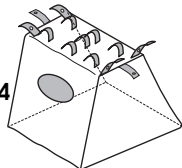
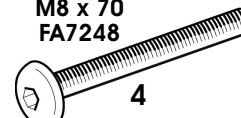




TP962 CHALLENGER DEN

INSTRUCTIONS FOR ASSEMBLY MAINTENANCE AND USE.
PLEASE RETAIN FOR FUTURE REFERENCE.


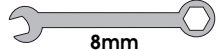
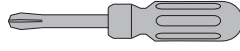


Freedom to play

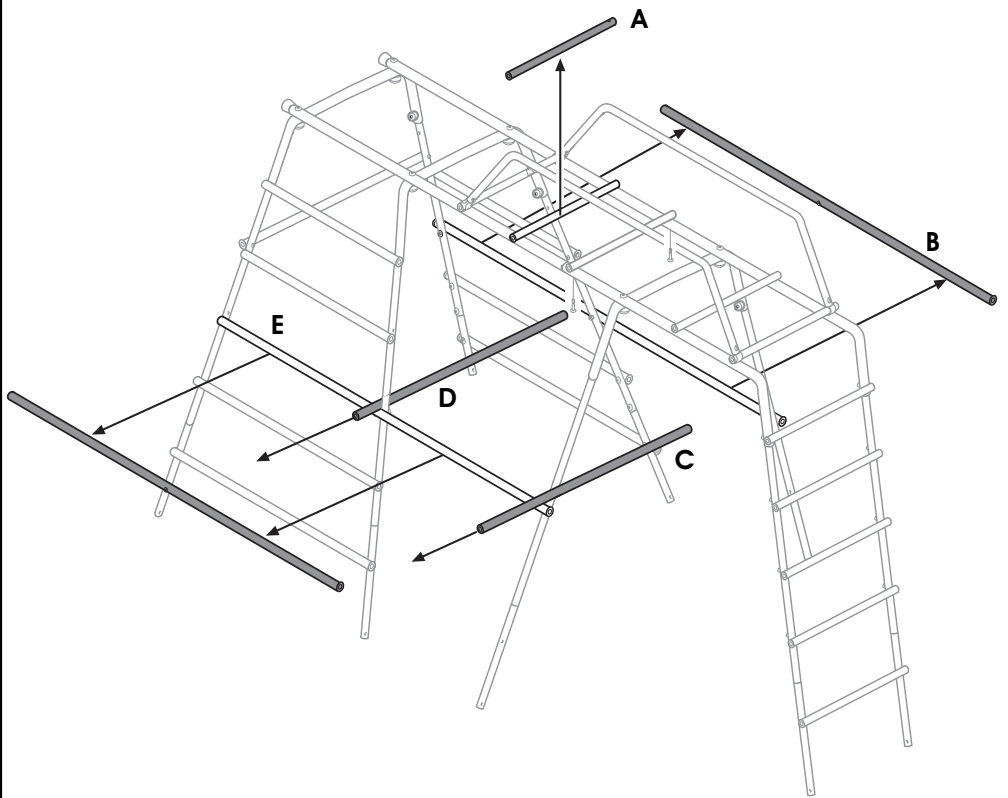
Tent 1 FC7914 	M8 x 70 FA7248  4	Contents	
	M5 Locknut FA8275  2	M5 x 15 FA8276  2	

Tools - not included

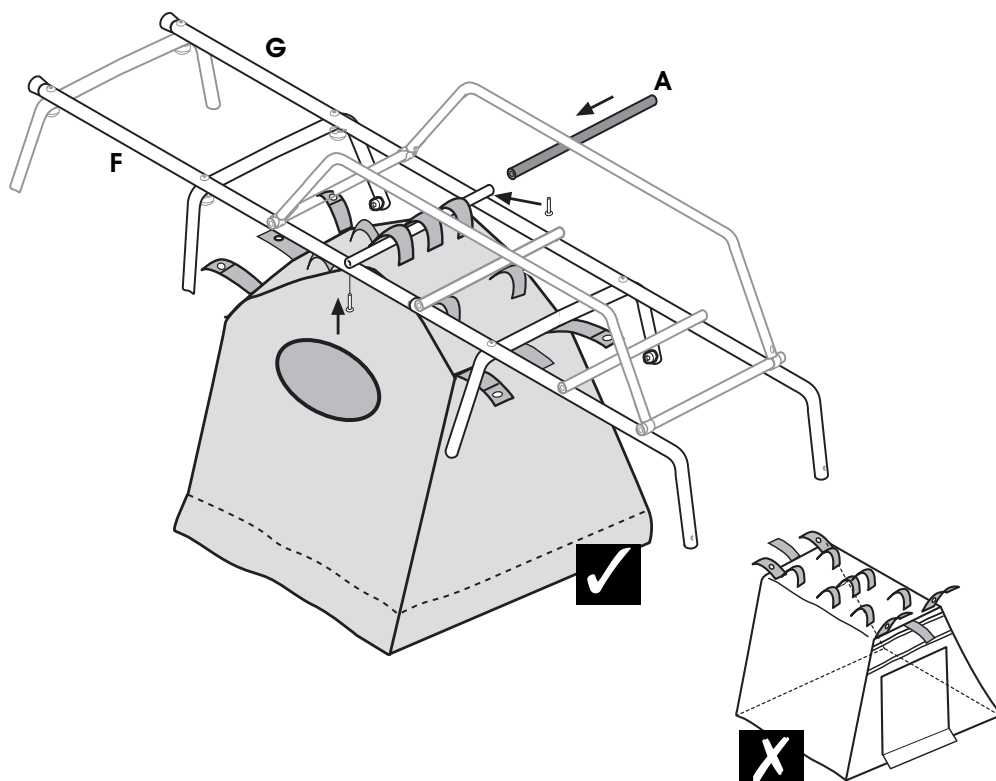
You will need:
 Vous aurez besoin de:
 Avrete bisogno:
 Precisarã:
 Sie brauchen:

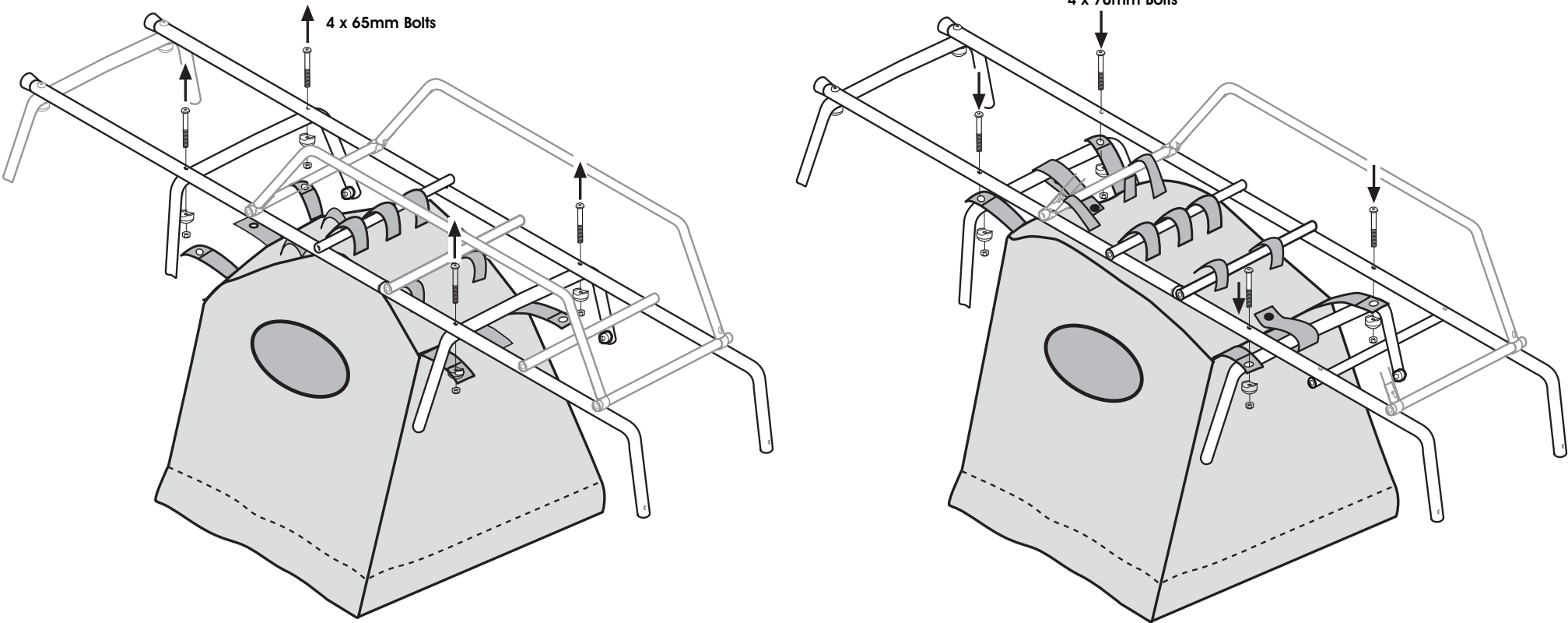
1 Remove rungs A,B,C,D & E




2 Note:
 If you have a Toddler Kit (TP850) fitted, rung A should be attached to the **UNDERSIDE** of the frame bars F and G.



3 Remove 65mm bolts and attach corner straps with replacement 70mm bolts.



M8 x 70
FA7248
4



CAUTION

This product must be assembled by an adult - due to small parts. Please retain all information for future reference. Children should always be supervised by a responsible adult while playing on this toy, and instructed not to use it in an inappropriate or hazardous manner. It is vital that all fastenings are checked **regularly** and **often**. Failure to do this may result in the product malfunctioning, and causing injury. Children must not be allowed to use this product until it is **properly installed** and **checked**.

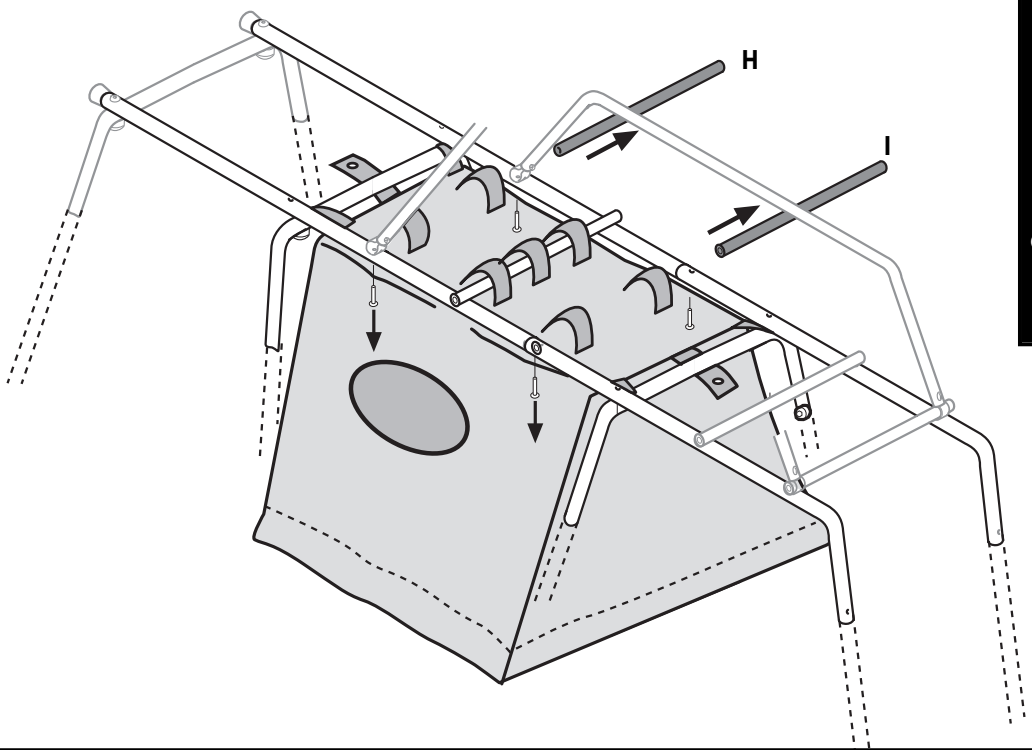
www.tptoys.com

Designed in the UK by **TP Activity Toys** (Tube Plastics Ltd), Severn Road, Stourport-on-Severn, Worcestershire, England. DY13 9EX

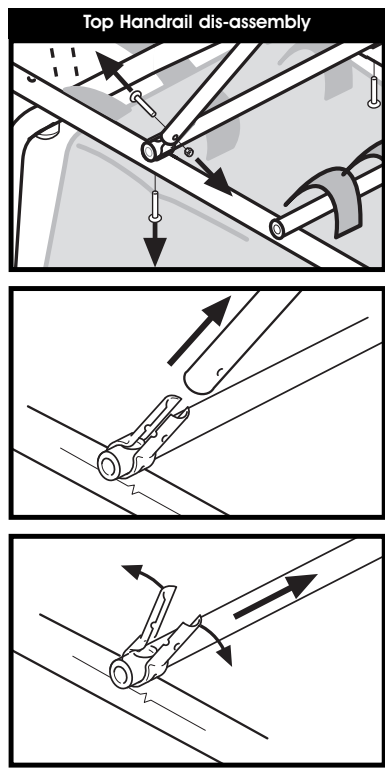
Customer Service: Email: customerservices@tptoys.com
 Spare Parts +44 (0) 1299 872803
 Technical Helpline +44 (0) 1299 872804



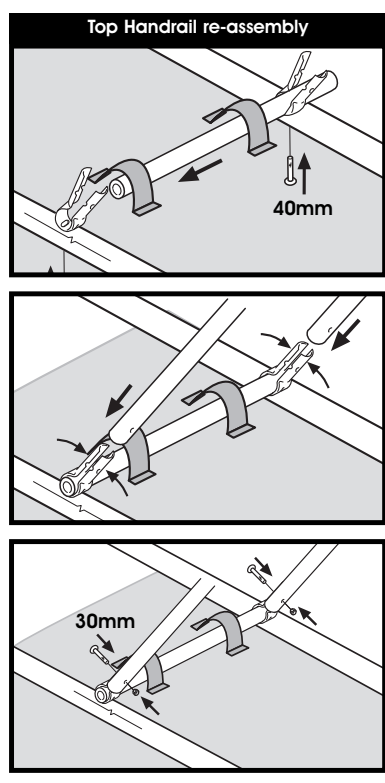
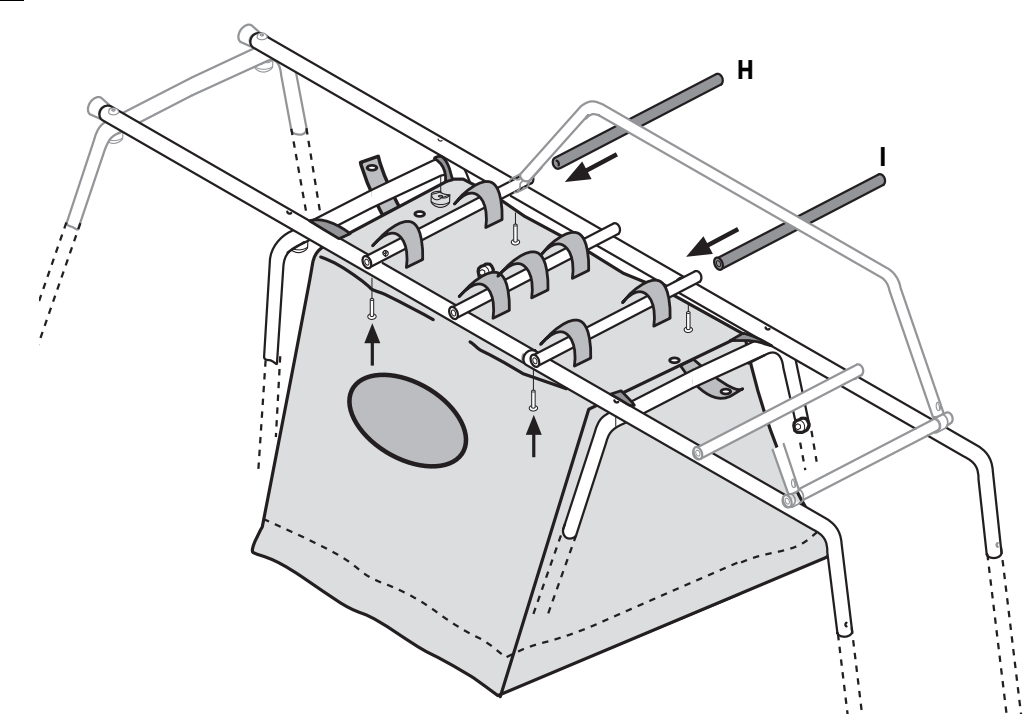
4 Detach handrails from rung H. Remove rungs H and I.



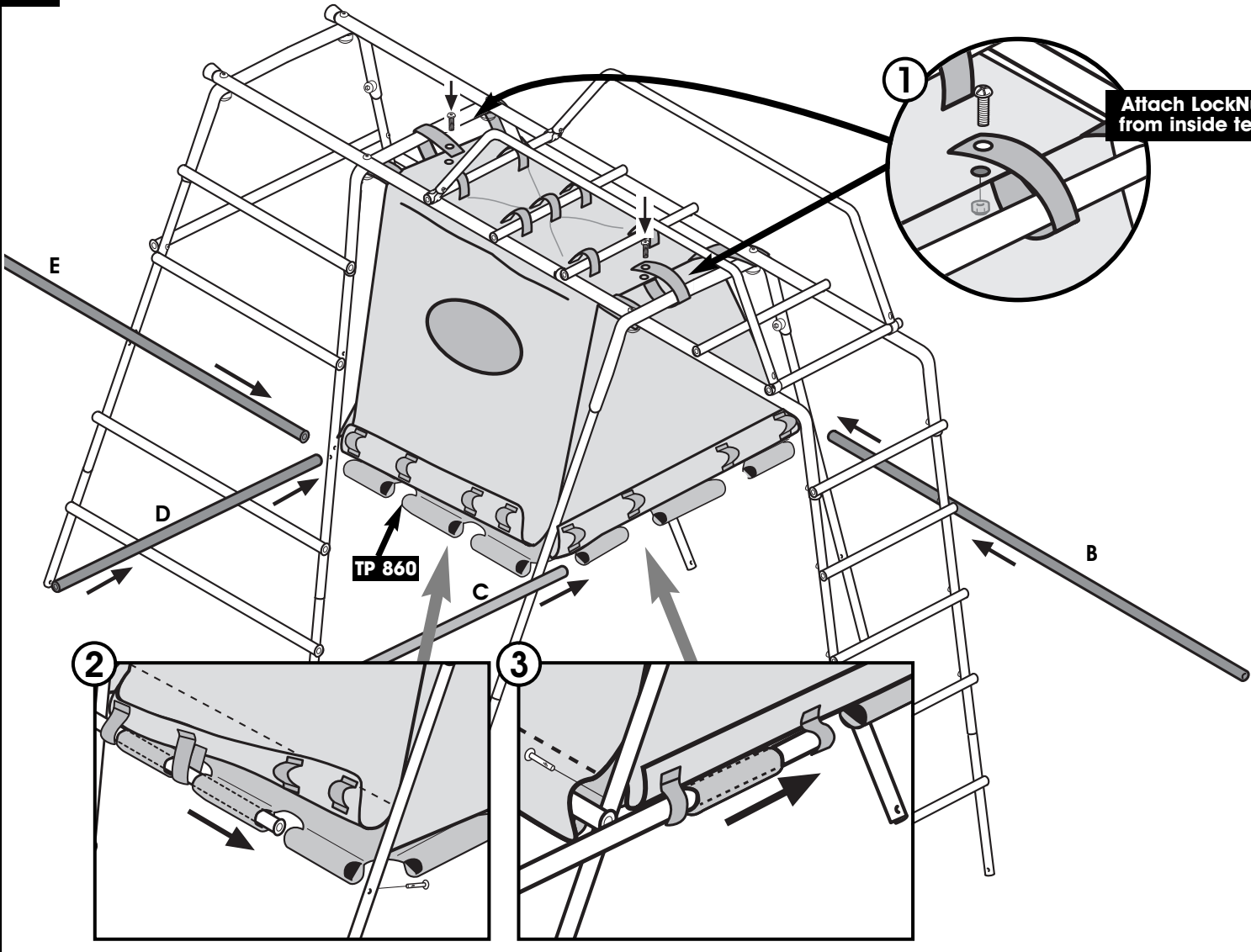
Note:
If you have a Toddler Kit fitted stages 4 & 5 may be omitted! otherwise you must complete stages 4 and 5.



5 Replace rungs H and I and refit handrail.



6 Attach the final two support straps as shown. Refit rungs B, C, D & E in conjunction with the Challenger Platforms TP860.



- M5 x 15 FA8276 2
- M5 Locknut FA8275 2

Bolt Tightening Guide

	✓
	✗
	✗

CHECK ALL BOLTS ARE FULLY TIGHTENED

Assurez-vous que les écrous et les boulons sont serrés au maximum.

Controllare che tutti i dadi e i bulloni siano ben serrati.

Compruebe que todas las tuercas y tornillos estén ajustados completamente.

Kontrollieren Sie, dass alle Muttern und Bolzen fest angezogen sind.