



Freedom to play

TP296/298/299/301 Bounce Surround

For use with TP Trampolines

**INSTRUCTIONS FOR ASSEMBLY
MAINTENANCE AND USE**



Important!

These instructions must be followed for safe assembly and use. Please retain for future reference.

Age limit 3 yrs +

Not Suitable for **Adult** Use

TABLE OF CONTENTS

	PAGE
BEFORE YOU BEGIN	2
GENERAL INFORMATION	
ASSEMBLY AND SITING	3
SAFETY	3
CARE AND MAINTENANCE.....	3
DETAILED ASSEMBLY INSTRUCTIONS	
TP296 Bounce Surround 2 - (8ft Diameter - 2440mm)	4 - 5
TP298 Bounce Surround 2 - (10ft Diameter - 3050mm)	6 - 7
TP299 Bounce Surround 2 - (12ft Diameter - 3650mm)	8 - 9
TP301 Bounce Surround 2 - (14ft Diameter - 4260mm)	10 - 11
GUARANTEE	12

IMPORTANT, BEFORE YOU BEGIN, READ THIS MANUAL

Thank you for buying a TP Trampoline. This trampoline is designed and manufactured to provide you and your family with many years of fun and exercise but, **for your benefit and safety, please read this manual carefully and in full before assembling and using your trampoline.** Then, please retain this manual for future reference.



! WARNING !

Do not land on head or neck. Paralysis or death can result even if you land in the middle of The trampoline mat (bed).

To reduce the chance of landing on your head or neck, do not do somersaults (flips).



Only one person at a time on the trampoline. Multiple jumpers increase the chances of loss of control, collision, and falling off.

This can result in broken head, neck, back, or leg.

! REMEMBER !

Trampolines are **rebounding** devices which **propel** the user to **unaccustomed** heights, and into a variety of body movements. Rebounding off of the trampoline, striking the frame or springs, or improperly landing on the trampoline mat (bed) may cause injury.

Misuse and abuse of this trampoline is dangerous and can cause serious injuries.

Inspect the trampoline before each use, and replace any worn, defective or missing parts.

All purchasers and all persons using the trampoline must become **familiar** with the manufacturer's recommendations for the proper assembly, use and care of the trampoline. Each user must also be alert to his or her own limitations in the execution of trampoline skills.

It is the **responsibility** of the owner or trampoline supervisor to **ensure** that all users of this trampoline are adequately informed of all warnings and safety instructions. **Remember using this trampoline exposes you to the risk of serious injury, including permanent paralysis or even death from landing on the neck or head. The risk exists even if you land on the trampoline mat.**

INSTRUCTIONS FOR ASSEMBLY, MAINTENANCE AND USE OF TP BOUNCE SURROUND

Please read carefully and keep for future reference.

ASSEMBLY AND SITING

Assembly Information – This Bounce Surround must be assembled by an adult, exactly in accordance with the assembly instructions. Enlisting the aid of a helper will make the assembly easier. This pack contains small parts and is not suitable for children under 36 months. Please take an inventory of all parts before assembly. Should there be any missing parts, the equipment must not be used until replacement parts have been fitted – the TP Customer service line is 01299 872804.

Siting – Your trampoline must be placed on a flat and level surface which is well lit. Under no circumstances should it be positioned on a hard surface such as concrete or asphalt, unless the ground under the trampoline and an additional freespace of 6ft (2 metres) all around is covered with a safety surface. Examples of suitable surfaces are grass, sand or a play surface intended for this use. There must be a minimum of 24ft (7.3 metres) of clear, open space above the trampoline. It is important not to place or store anything under your trampoline. PLEASE ALSO READ THE INSTRUCTIONS WHICH ACCOMPANIED YOUR TRAMPOLINE.

USE SAFELY

This Bounce Surround is designed and made for family outdoor domestic use only by people 3 years and older. IT IS NOT A REBOUNTING DEVICE. It is designed as an enclosure to (1) control entry and exit to and from the trampoline and (2) allow jumpers to gain confidence, balance, coordination and agility without the fear of rebounding off the trampoline.

Adult supervision of children – Children should always be supervised while they are playing on the trampoline fitted with a Bounce Surround and should be instructed not to use it in an inappropriate or hazardous manner. In particular be aware of:

- The objects children bring into the enclosure
- Children's activities inside the enclosure
- Conditions inside the enclosure when children are using it
- The way children get into and out of the enclosure

Children should not wear cycle helmets while playing on the trampoline.

The frame of your trampoline is made of steel and it will conduct electricity. No electrical equipment (lights, heaters, extension cords, household appliances, etc.) should be permitted in or on the enclosure under any circumstances to avoid the risk of electrocution.

Never allow more than one person to use the trampoline at a time notwithstanding that the Bounce Surround is in place. Multiple users may collide with or destabilise each other and this can result in serious injury.

As your trampoline mat (bed) is raised off the ground, there is the risk of a fall when exiting the trampoline through the door of the Bounce Surround. Young children should be assisted to reduce their risk of falling.

ONLY THE DOOR OF THE BOUNCE SURROUND SHOULD BE USED TO ENTER OR EXIT THE ENCLOSURE.

Weather conditions – Special care should be taken as weather conditions change. In particular, surfaces can become slippery in wet weather and tongues and lips can stick to metalwork at subzero temperatures. In warmer and sunnier weather, parts can become hot, and temperature should regularly be checked during use, especially metal parts.

CARE AND MAINTENANCE

With all TP products it is vital that the equipment is checked regularly and often by an adult. The complete product should be checked at least once a month, and particular attention should be paid to connections and fastenings. If any parts exhibit signs of wear and tear, they may need to be replaced. Failure to do this may result in the product malfunctioning and causing injury.

The product must not be used until properly and fully installed and checked. Galvanised tubular products may require occasional maintenance. If surface rust appears it should be removed with either a wire brush or coarse sandpaper, and the area treated with non-toxic paint.

To avoid damage to the Bounce Surround, do not allow pets or other animals inside the enclosure. Their claws and teeth can damage the netting (and the trampoline mat).

Make sure that no bonfires are lit close enough to threaten your trampoline and Bounce Surround. In windy conditions, sparks and embers can travel significant distances and burn holes in both the enclosure netting and the trampoline mat.

Any large trampoline, with or without an enclosure system, can be blown around in high winds and cause injury or damage. We recommend that the Bounce Surround should be removed under these conditions and stored in a dry condition. IT IS NOT NECESSARY TO DISASSEMBLE THE TRAMPOLINE BUT PLEASE REFER TO YOUR TRAMPOLINE INSTRUCTIONS FOR INFORMATION ABOUT SECURING IT TO THE GROUND. An Anchor Down Kit is available from TP.

TP 296 Bounce Surround 2 - (8ft Diameter - 2440mm)

Contents - Please check

TP8154 12 12 12 TP8163 24

12 TP8155 TP8156 24

TP8158 6

FC9351 6

Tools included TP8162

FC 8873

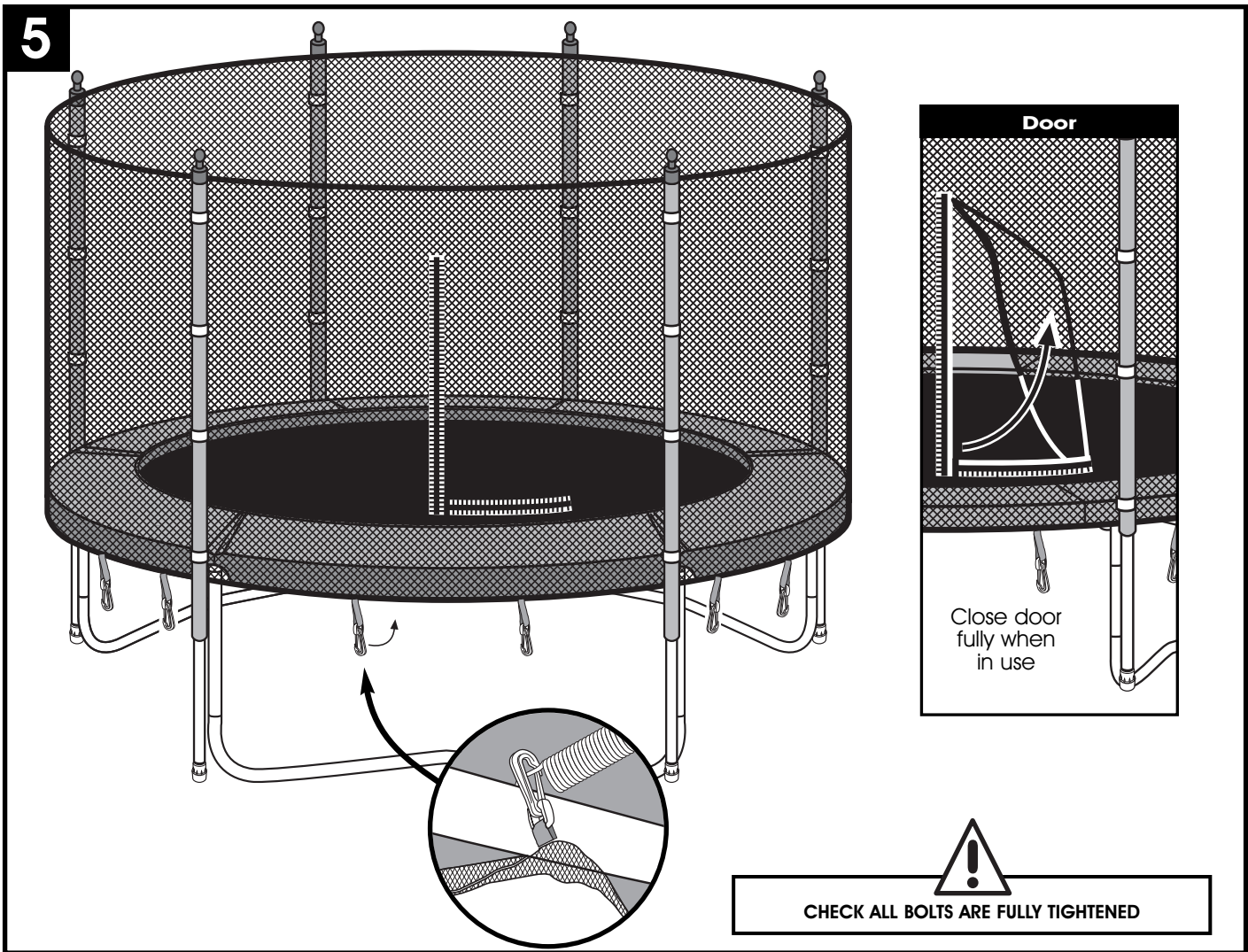
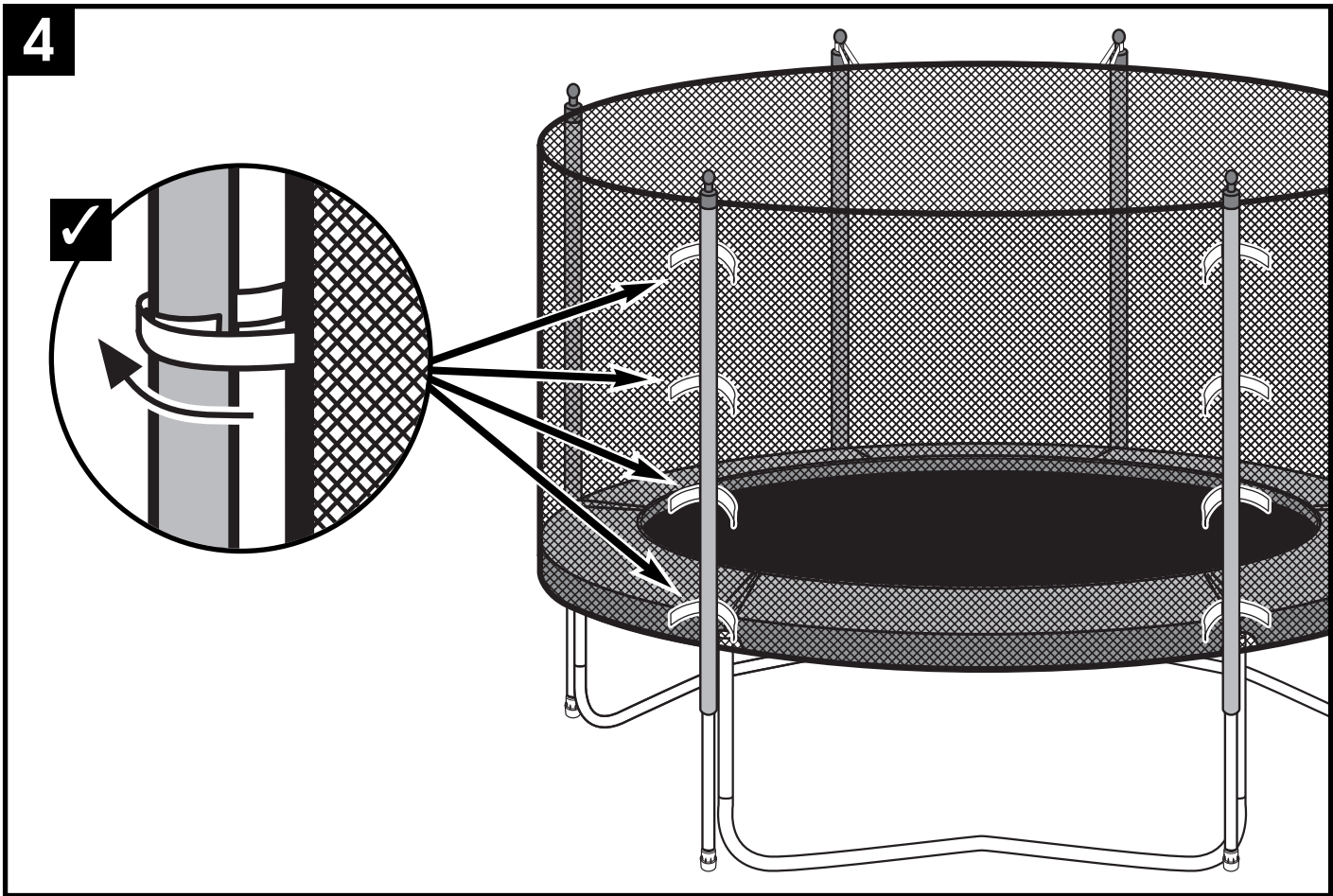
Net 1

1 ASSEMBLY

2

12 12 12 24

3



TP298 Bounce Surround 2 - (10ft Diameter - 3050mm)

Contents - Please check

TP8154 16 TP8155 16 TP8156 16 TP8163 32

TP8158 8 FC9351 8

Tools included TP8162

Net 1

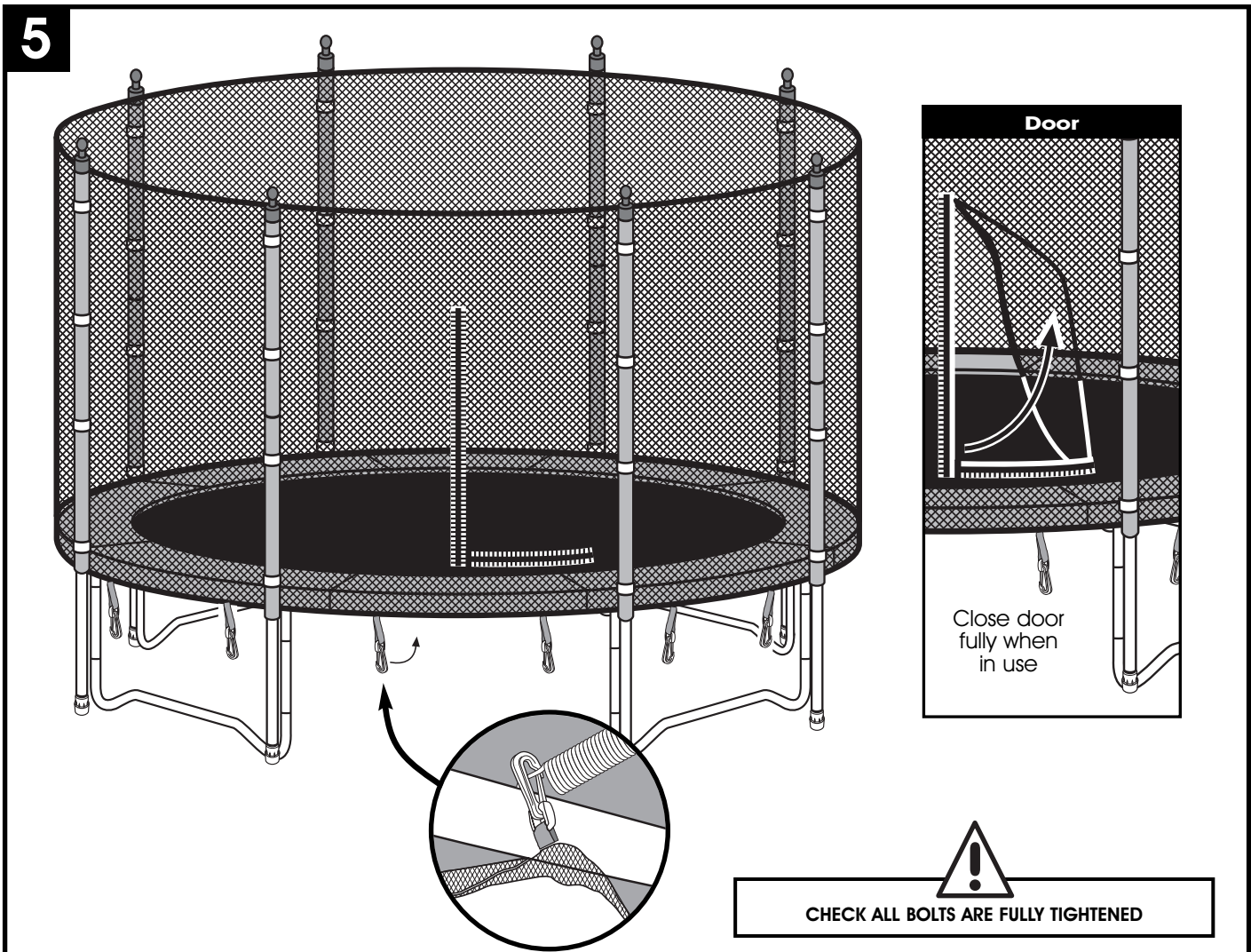
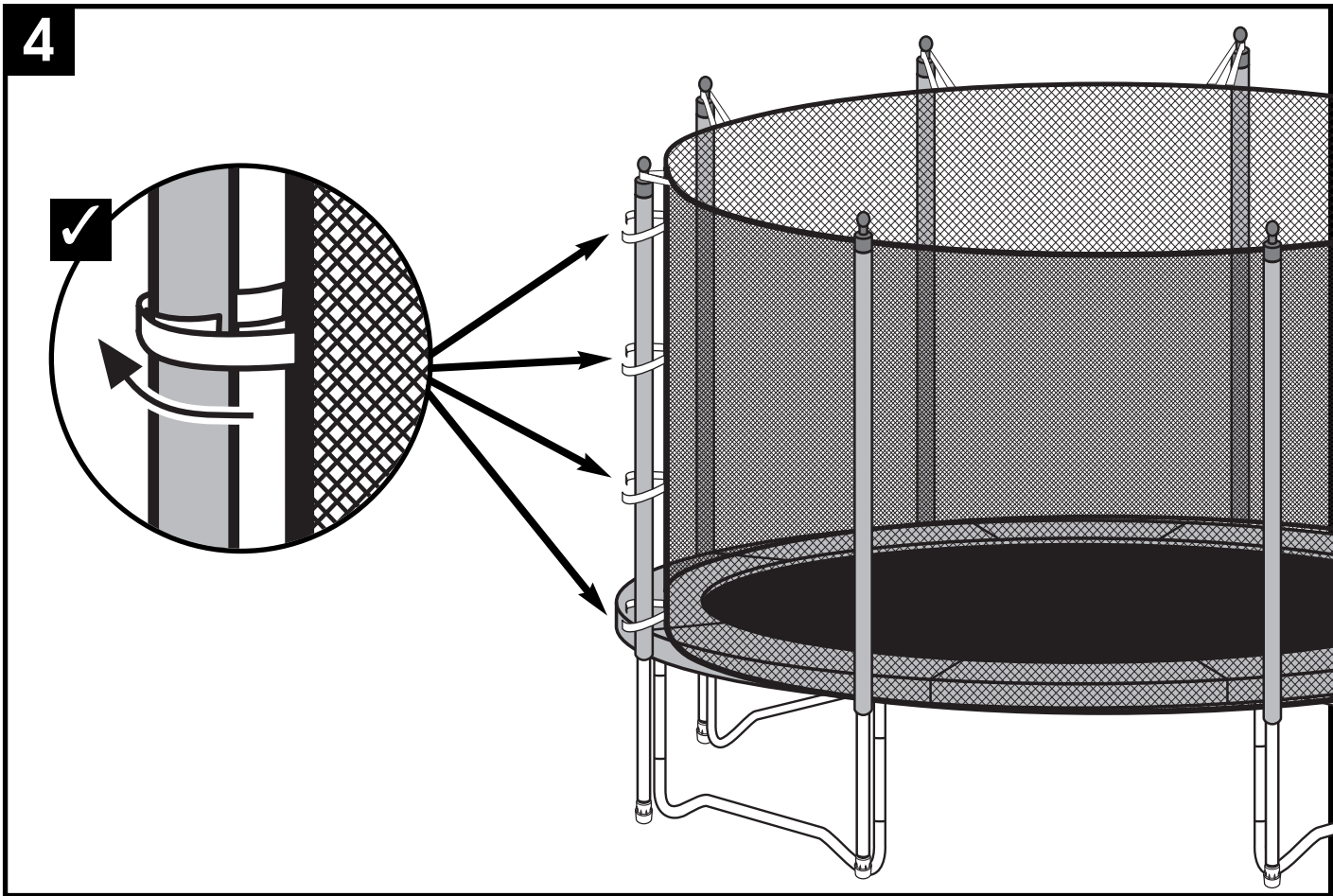
FC 8874

1 ASSEMBLY

2

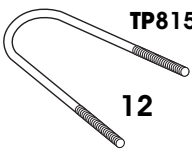

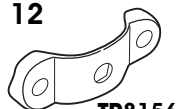

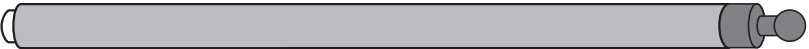
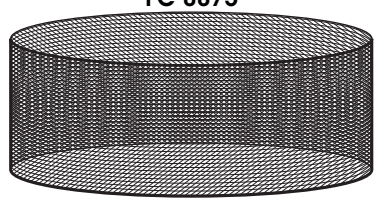

8 8 8 16

3

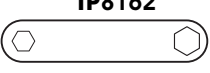


TP299 Bounce Surround 2 - (12ft Diameter - 3650mm)


Contents - Please check

 TP8154 12	 TP8155 12	 TP8156 12	 TP8163 24
 TP8158 6			 FC 8875 Net 1
 FC8157 6			

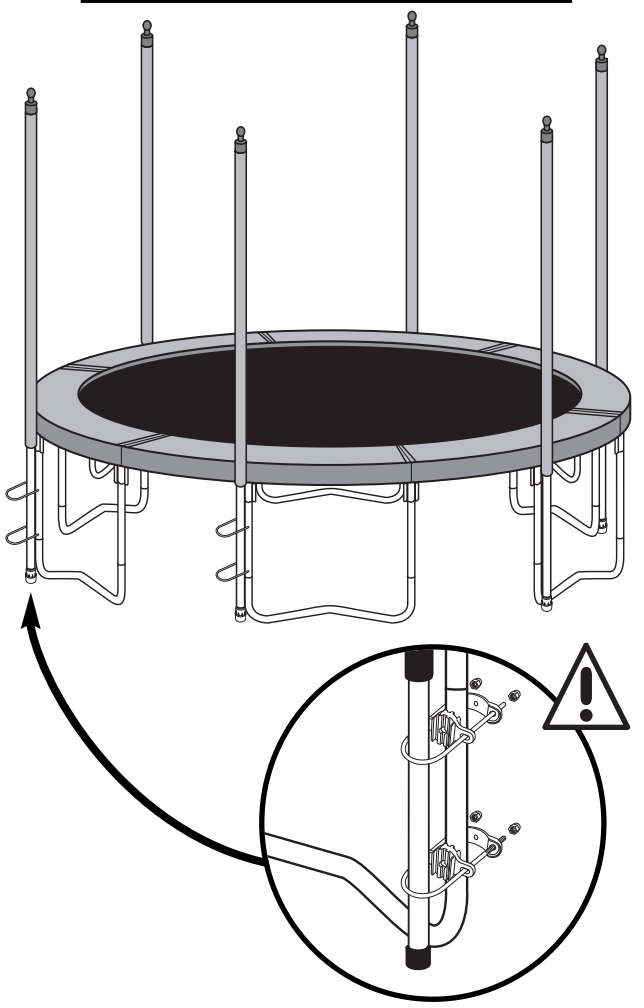
Tools included


 TP8162

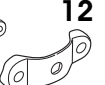
1 ASSEMBLY

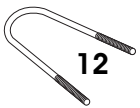



2




 12

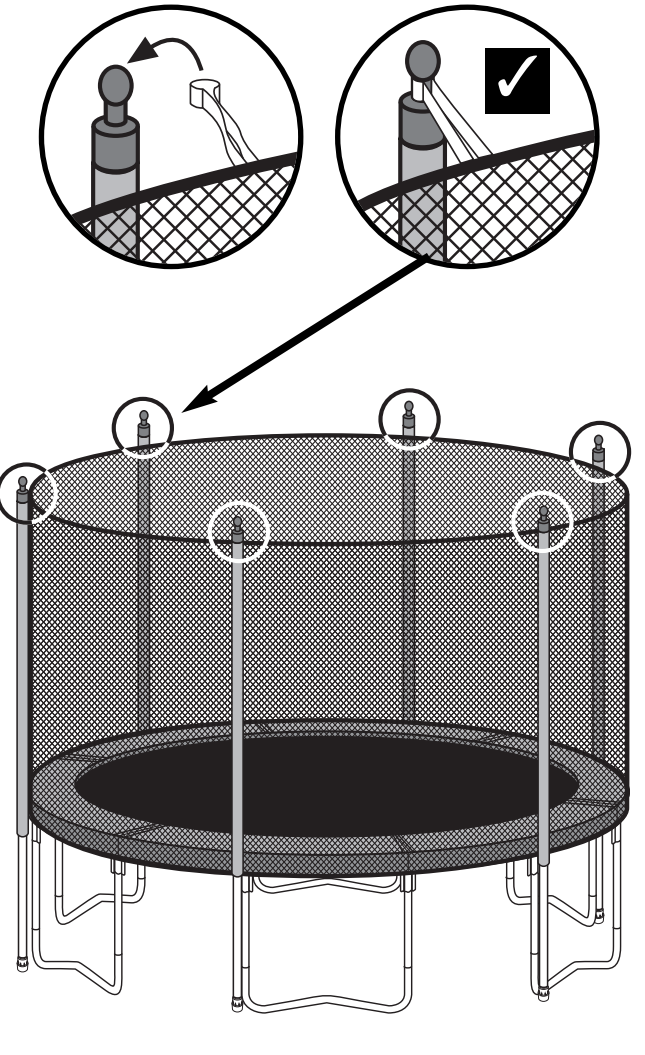
 12

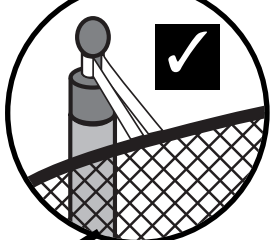
 12

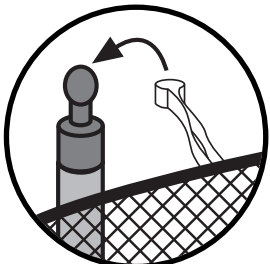
 24

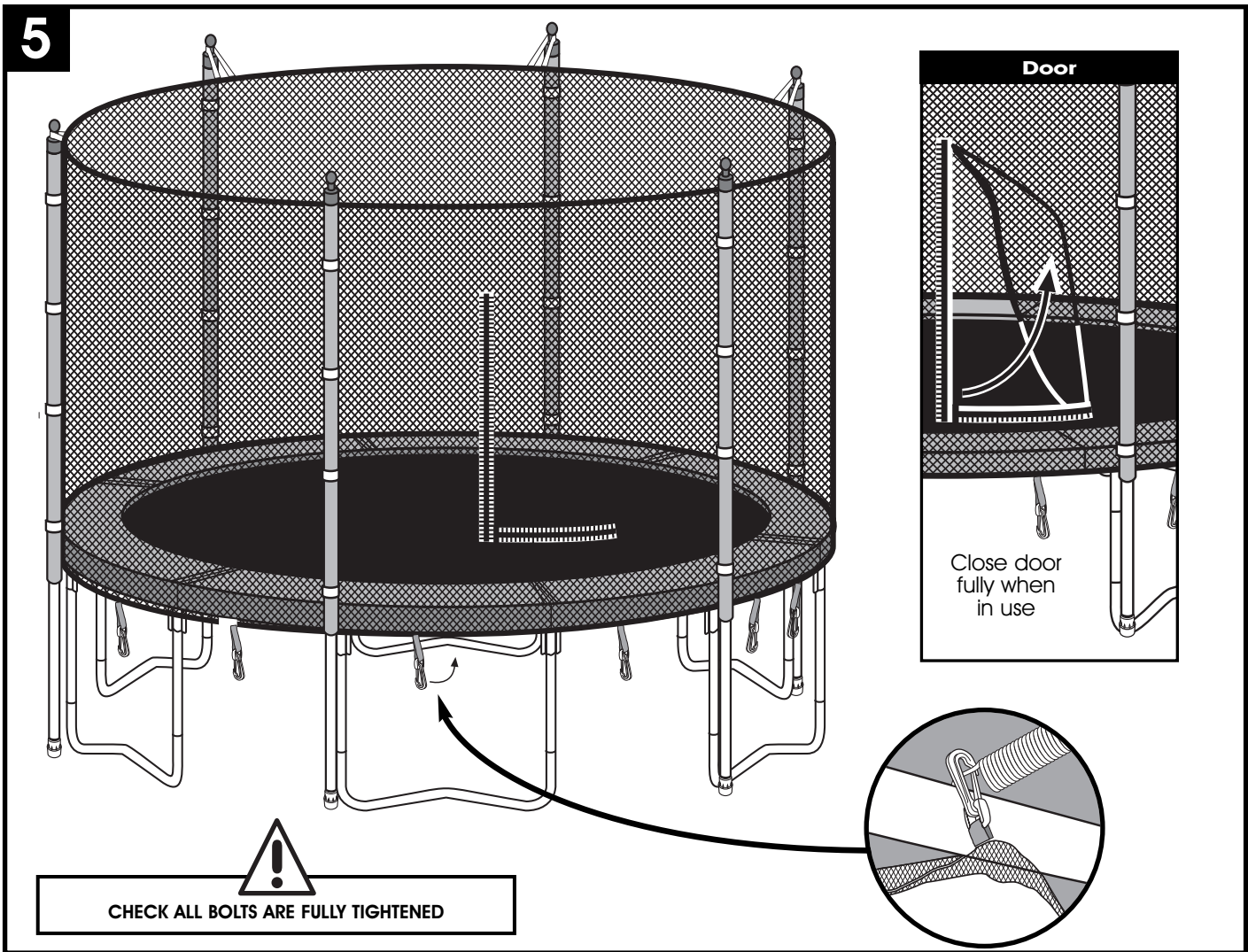
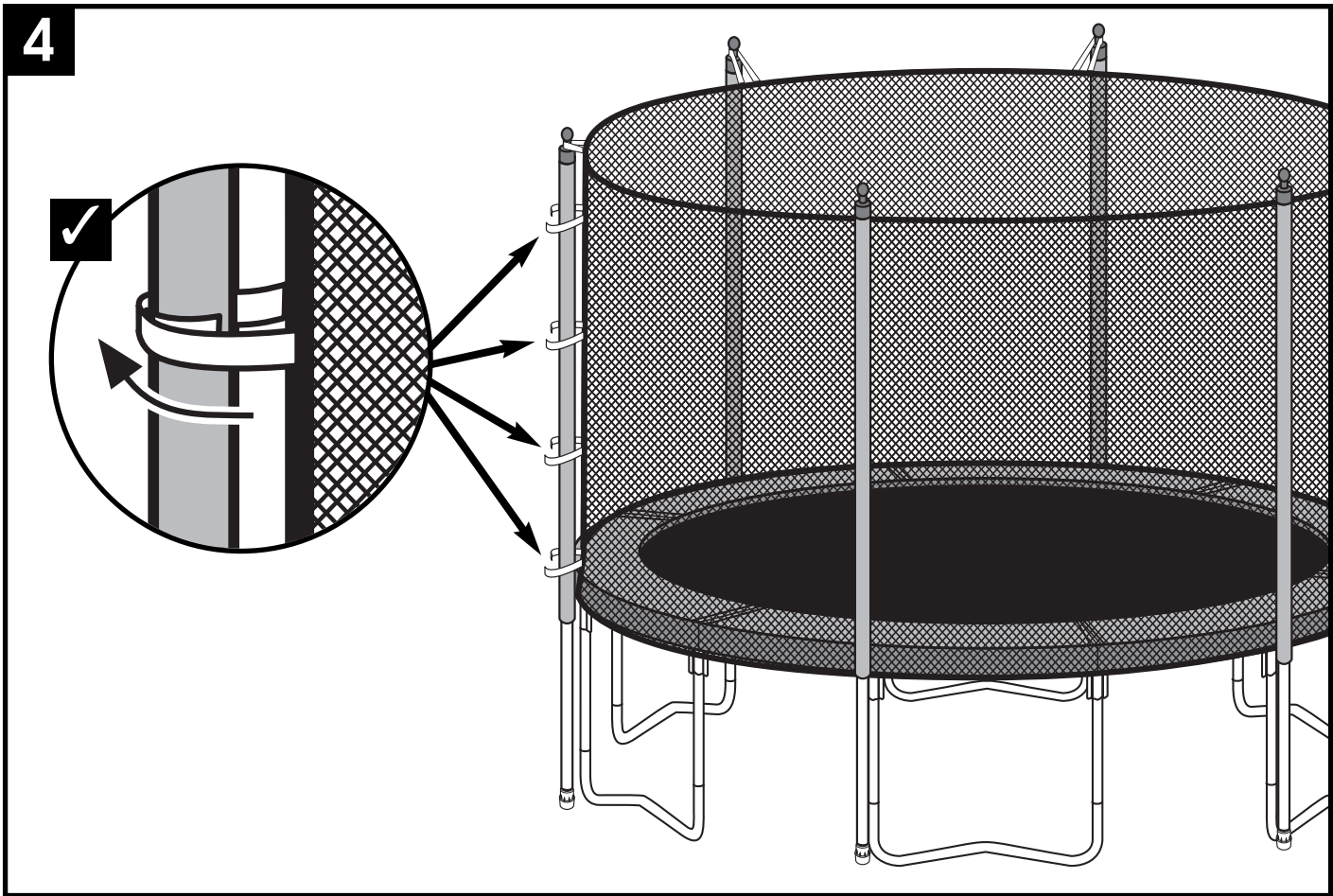


3



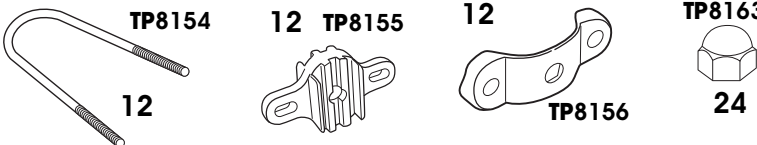




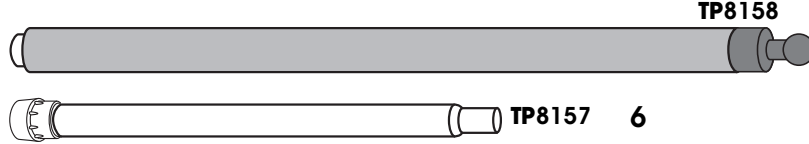


TP301 Bounce Surround 2 - (14ft Diameter - 4260mm)

TP8154 12 **TP8155** 12 **TP8156** 12 **TP8163** 24

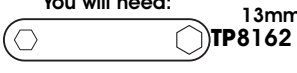


TP8158 6 **TP8157** 6



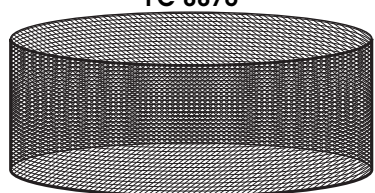
Tools included

You will need:



13mm **TP8162**


Contents - Please check



FC 8876

Net
1

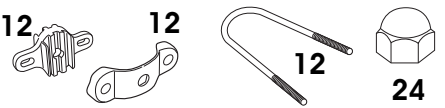
1

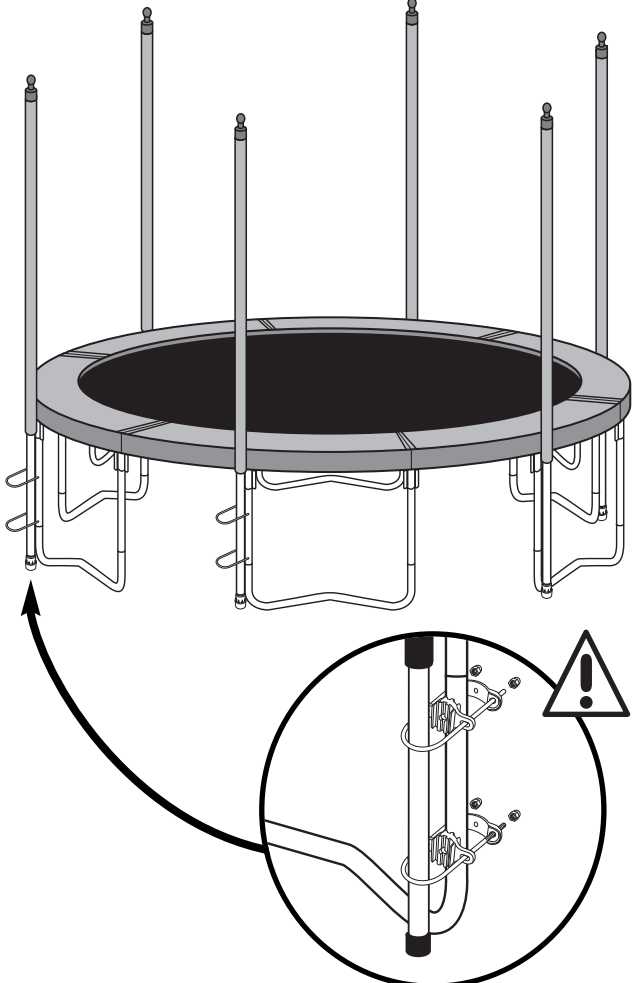



ASSEMBLY

2

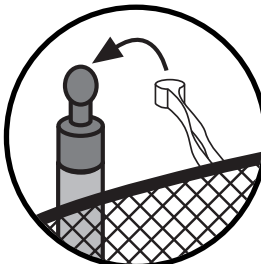
12 12 12 24

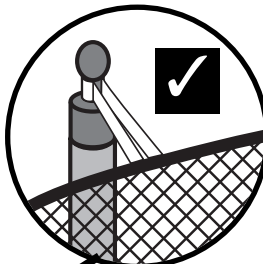


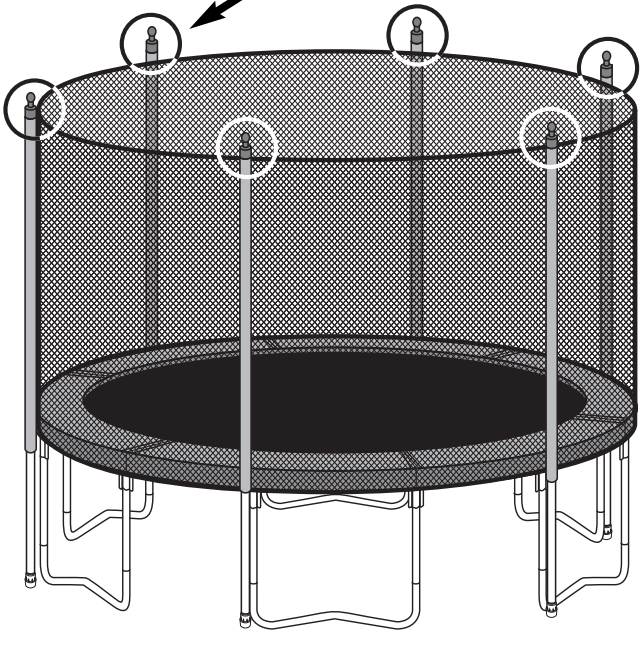


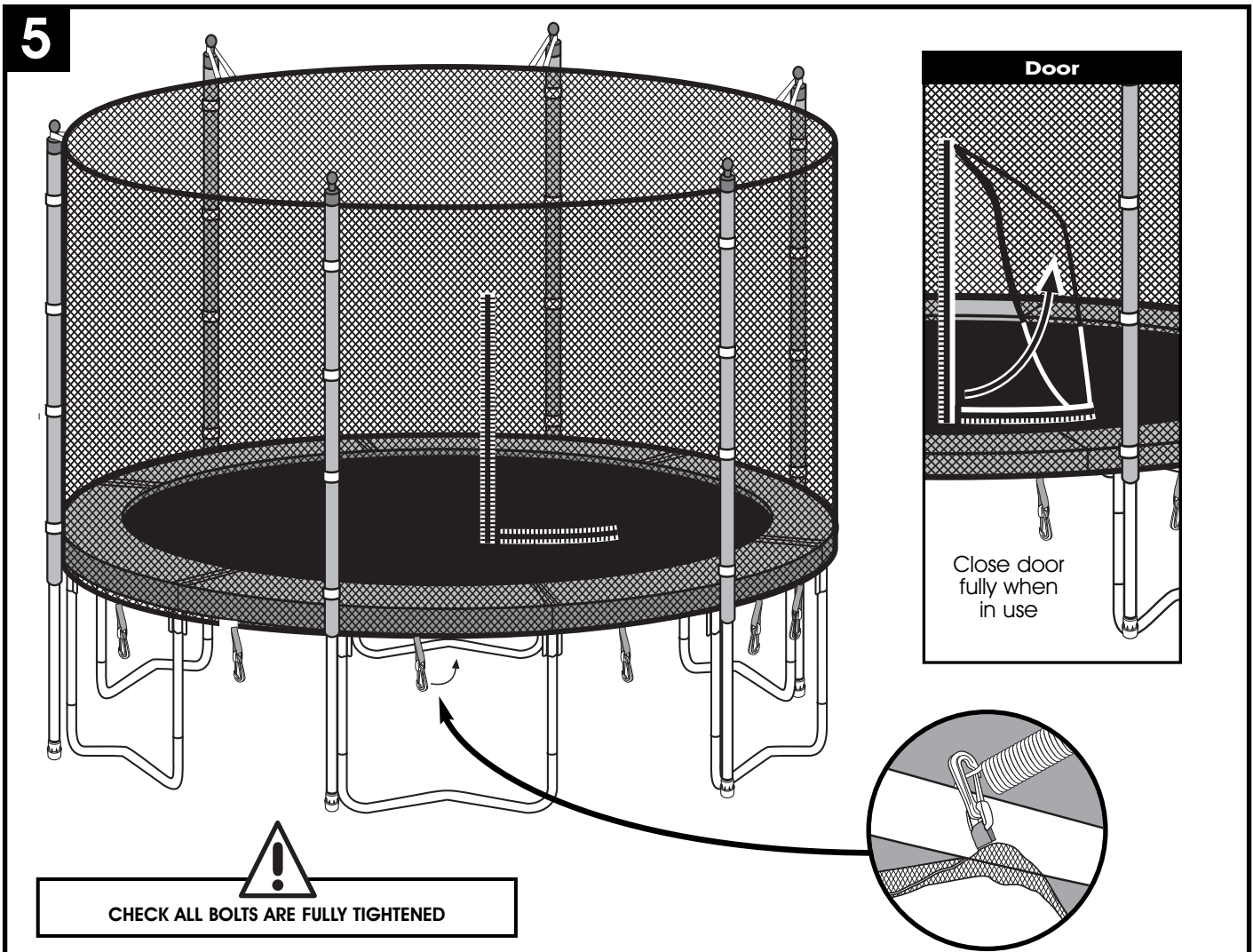
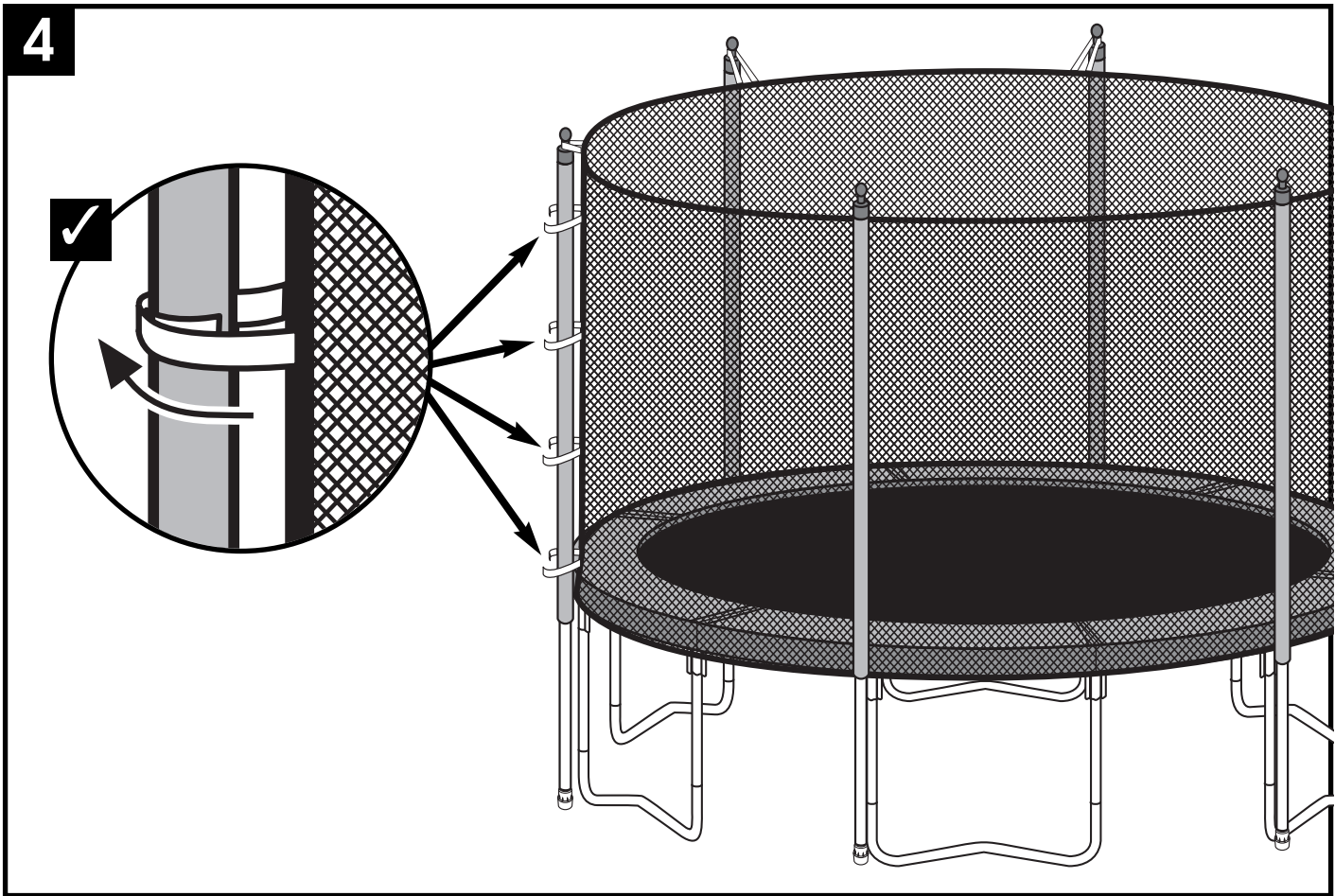


3











Lifetime Guarantee

Thank you for purchasing one of our quality bounce surrounds. This product carries a **Lifetime Guarantee** against rust causing failure on the galvanised steel frame.

TP Activity Toys guarantees to you the original retail purchaser that for your children's lifetime of outdoor play, rust will not cause the product to fail structurally. (Failure is defined as rusting from the inside through to the outside ie. perforation).

In the unlikely event of such rusting occurring TP will either supply replacement parts of the affected area, or replace the toy if the parts are no longer available.

Galvanised products are very tough but they may require maintenance from time to time (as detailed in the Maintenance. Regular inspections are important. Any surface rust, staining etc. should be treated in accordance with these instructions and are not covered by the **Lifetime Guarantee**.

This Guarantee does not apply to any part if damage has been caused by abuse, vandalism, misuse, accident or non-maintenance or if the original purchaser resides outside the British Isles or Ireland. All other components parts are guaranteed for twelve months.

To be covered by this **Guarantee** it is essential that you complete and return one **Guarantee Registration**, listing all products purchased. As an additional bonus you will then automatically be entered into the **Quarterly Prize Draw**.

This helps us to monitor and maintain our performance as market leaders in the design and manufacture of outdoor play and associated products. It also helps us to communicate quickly with you should the need arise and to keep you up to date with the developments in our range.

"This guarantee does not affect your legal rights."

Claim Procedure

Should a claim be necessary please write to our Customer Services Department, TP Activity Toys, Stourport-on-Severn, Worcestershire, DY13 9EX, England.

We would require the following information and we recommend that you complete some of these details now:

Your name, address and daytime/evening telephone number.

Product Name.

Guarantee Number.

Date of Purchase.

Where Purchased.

Original Till Receipt.

Identification of the Affected Part(s) - Photographs preferable.

Please do not send products or parts at this stage as this may not be necessary.

The product guarantee number is:



Designed in the UK by **TP Activity Toys** (Tube Plastics Ltd), Severn Road, Stourport on Severn, Worcestershire, DY13 9EX, England. Made in China.

Email: customerservices@tp toys.com
Website: www.tptoys.com

Customer Service:
Spare Parts +44 (0) 1299 872803
Technical Helpline +44 (0) 1299 872804