



raised bed user guide

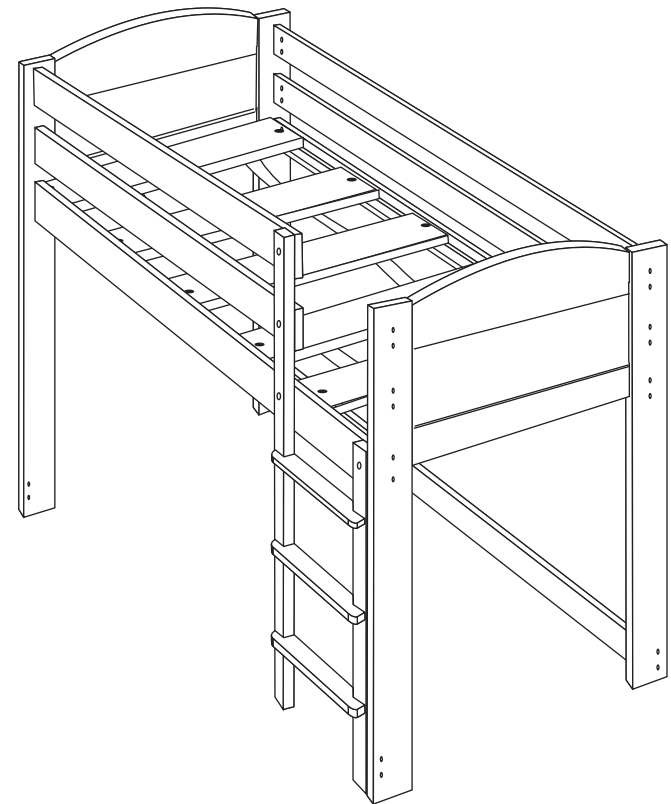
your child's safety is your responsibility

If you have a problem with this product or require replacement parts, please contact your nearest Mothercare store or telephone the Mothercare customer care line on **08453 30 40 30**

Alternatively write to:

Customer Care
Mothercare
Cherry Tree Road
Watford
Herts. WD24 6SH

www.mothercare.com

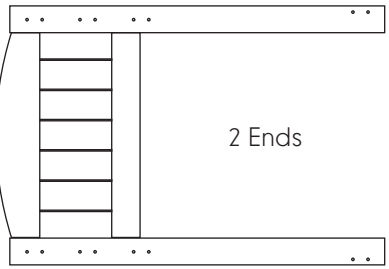
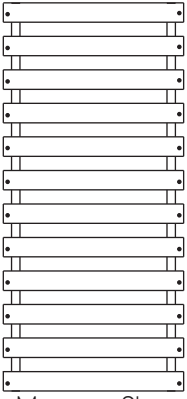
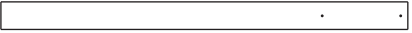
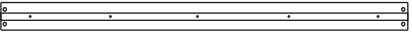



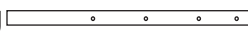
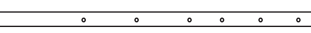











IMPORTANT - READ CAREFULLY AND KEEP FOR FUTURE REFERENCE

important notes

Please take a few minutes to read this user guide.
 Unpack your raised bed carefully onto a soft level surface, such as a carpeted floor.
 Familiarise yourself with the parts by comparing them with the PARTS CHECK LIST below. Do not discard any packaging until you are sure you have all the parts.
 The Recommended mattress for this raised bed should measure 190cm x 76cm (6'3" x 2'6")
 Certain parts of the assembly process require 2 adults. To avoid damage to the product (or to yourself) please do not attempt them on your own.

parts check list

- fig 1a**  2 Ends
- fig 1b**  Mattress Slats
- fig 1c**  1 Ladder side Mattress Rail
- fig 1d**  1 Rear Mattress Rail
- fig 1e**  3 Rear Side Rails
- fig 1f**  2 Ladder Side Safety Rails
- fig 1g**  3 Ladder treads
- fig 1h**  1 Short Ladder stile
- fig 1i**  1 Long Ladder stile
- fig 1j**  24 Bolts (70mm)
- fig 1k**  24 Barrel Nuts
- fig 1l**  6 Bolts (45mm)
- fig 1m**  4 Bolts (35mm)
- fig 1n**  2 Sleeve nuts & 1 Threaded rod (70mm)
- fig 1o**  30 Screws (30mm x 4)
- fig 1p**  6 Dowels (30mm x 8)
- fig 1q**  2 Allen Keys
- fig 1r**  You will also need a cross-head type screwdriver

care of your product

Periodically check all fittings to ensure that none have come loose.

The raised bed can be cleaned by wiping with a damp cloth and drying with a soft dry cloth.

Never clean with abrasive, ammonia based, bleach based, or spirit type cleaners.

Take care when handling or moving the bed. Careless handling can damage wooden furniture.

safety notes

When in use, the Side rails and safety rails must be in place and the mattress base slats must be fitted and screwed down as defined in the instructions, with the end slats adjacent to the bed ends, and the correct screw, properly tightened, fitted through the ends of **every** slat.

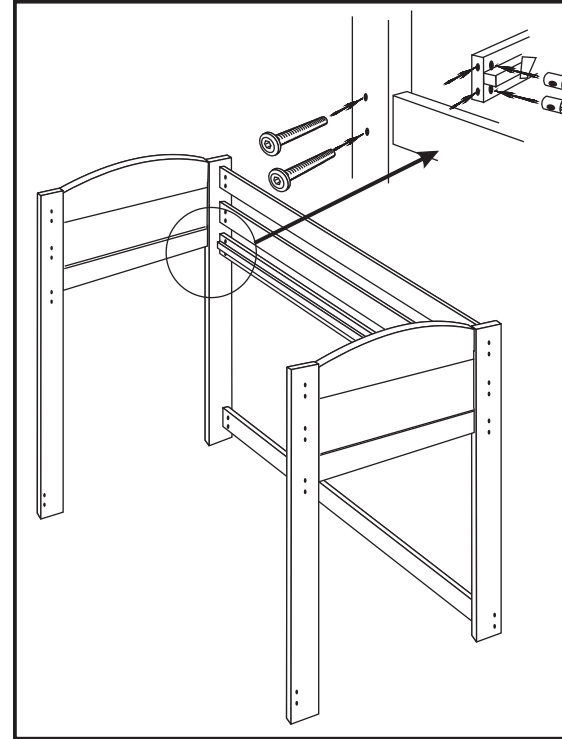
Strong heat sources, e.g. open, electric or gas fires in the vicinity of the bed may be dangerous.

Do not allow children to bounce on the bed. Using this furniture other than for its intended purpose could cause damage to the structure or serious injury to your child.

RECOMMENDED MATTRESS SIZE: 190cm x 76cm (6'3" x 2'6") The thickness should not exceed the line marked on the plain face of the upper end.

assembly

fig 2

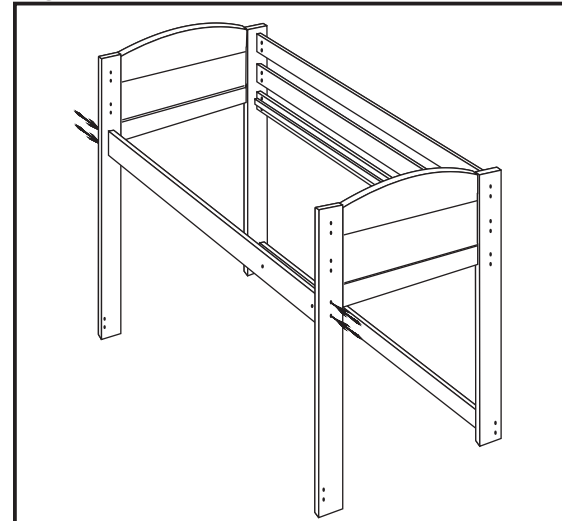


2 ADULTS REQUIRED.

Using 16 Long Bolts (70mm) and Barrel Nuts, attach 1 rear mattress support rail (Note this has a completely plain outside face, compared to the Ladder Side Mattress Rail, which has 4 holes, in a line, on the outside face) and 3 rear side rails to the ends, as shown.

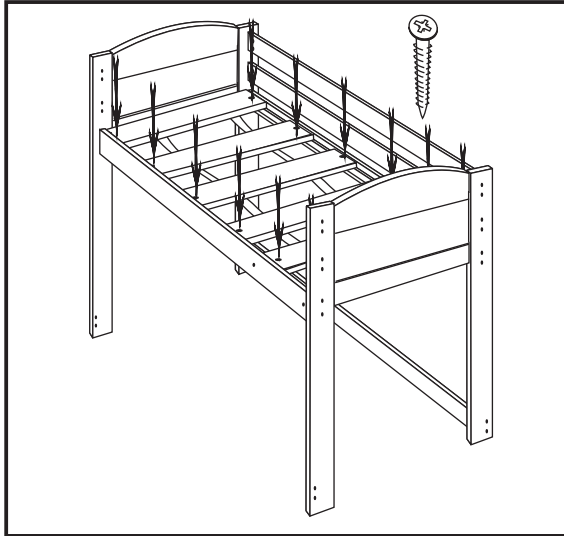
The ends can be placed either way round, but please note that one side of each is patterned and one plain.

fig 3



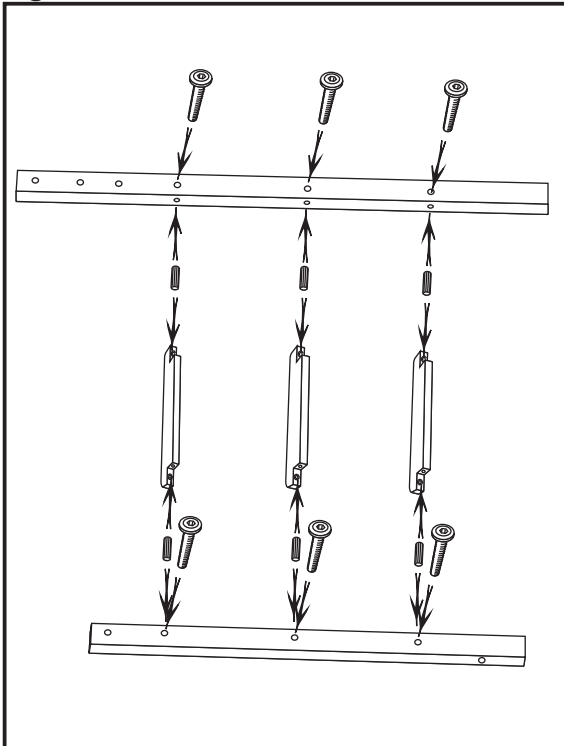
Attach the Ladder Side Mattress Rail, as before, using 4 bolts (70mm) and barrel nuts.

fig 4



Tapes to the underside, spread the mattress slats out evenly on the support rails, ensuring that the end slats are as near to the bed ends as possible, and fix with 30 screws (30mm) through the holes at the ends of every slat.

fig 5



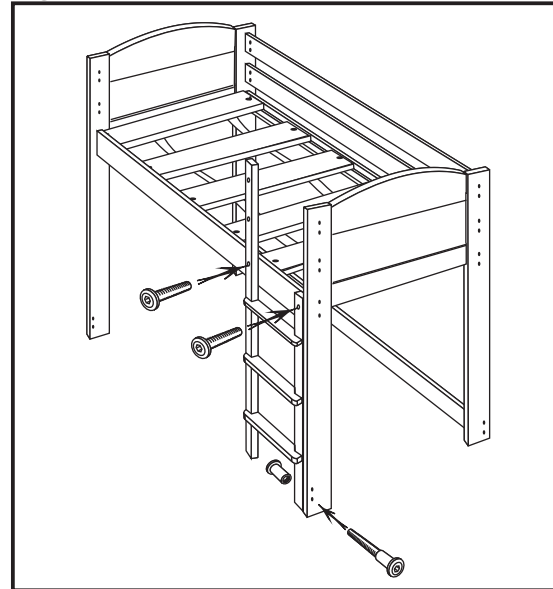
Decide which side you would like to have the ladder.

The Short ladder stile will end up at the bed end and the long ladder stile connects to the safety rails. The picture at left shows the ladder being assembled for attaching to the RIGHT hand side of the bed (bear in mind that this drawing shows the ladder from the rear). For a left hand attachment, simply reverse the positions of the 2 stiles.

Insert dowels into the holes in the tread shoulders (not into the metal inserts!)

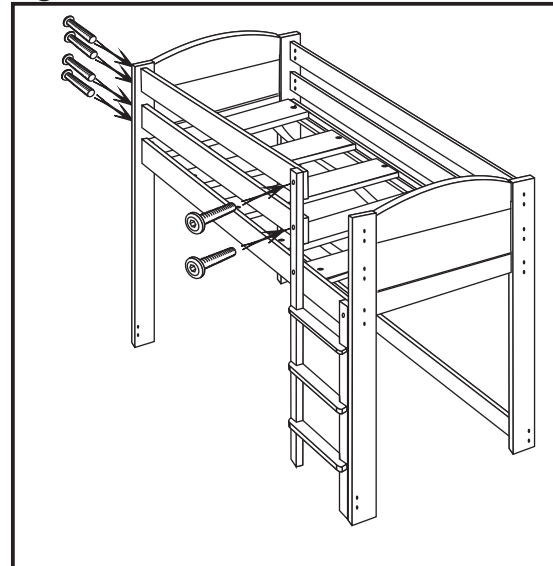
Attach the narrow edges of the ladder stiles to these and fix to the treads using the 45mm bolts. Tighten properly with the Allen Key.

fig 6



Loosely attach the ladder to the ladder side mattress support rail, using 2 bolts (35mm). First attach the 1 Sleeve nut on to one end of the 70mm Threaded rod. Insert the 70mm Threaded rod through the lowest hole in the bed leg and the sleeve nut through the lowest hole in the short ladder stile. Tighten the bolt into the nut, using the 2 Allen keys. Tighten the 35mm bolts.

fig 7



Attach the Ladder side safety rails using 2 bolts (35mm) through the long ladder stile and 4 bolts (70mm) and barrel nuts through the end.