

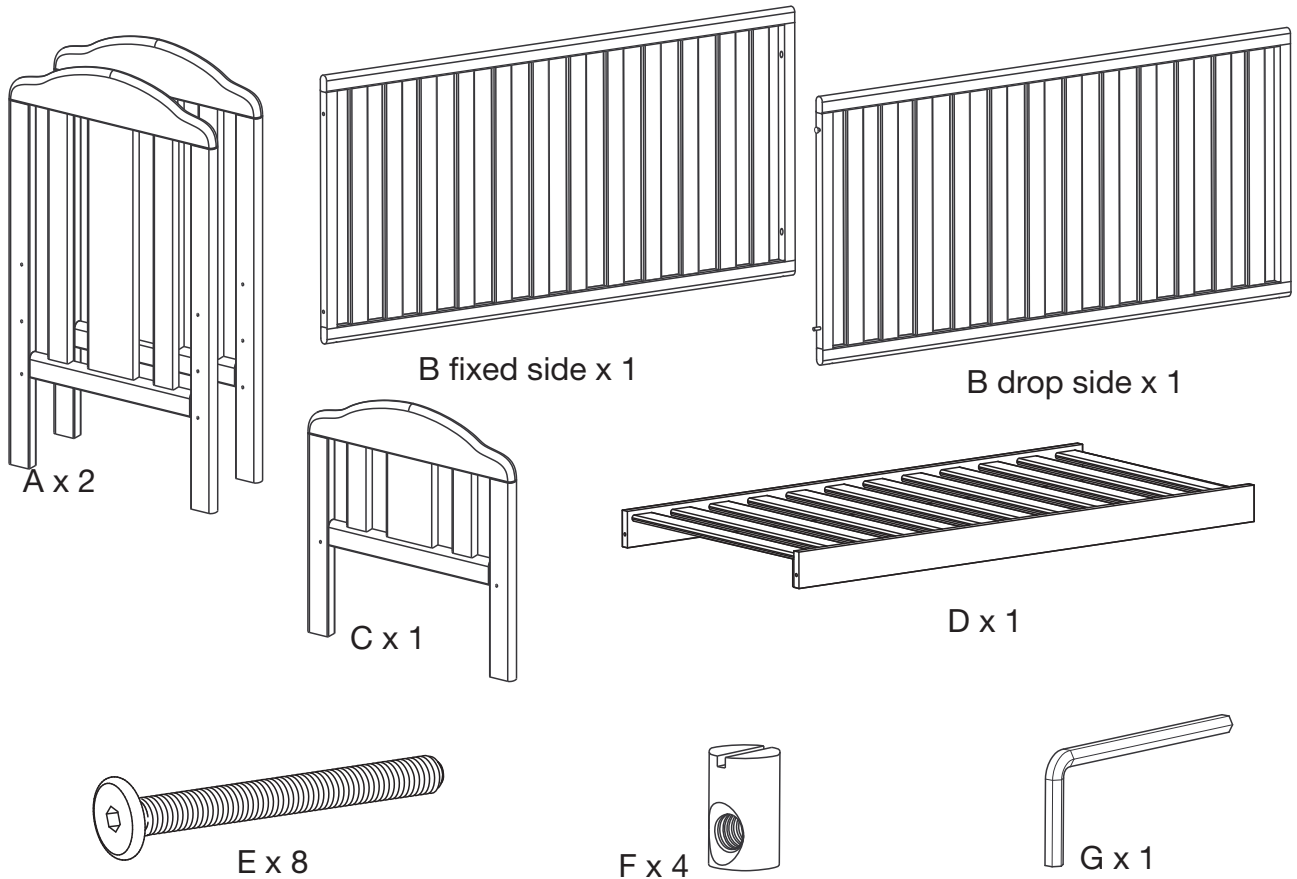
MORSTON DROPSIDE COT-BED



e a s t
c o a s t

IMPORTANT RETAIN FOR FUTURE REFERENCE: READ CAREFULLY

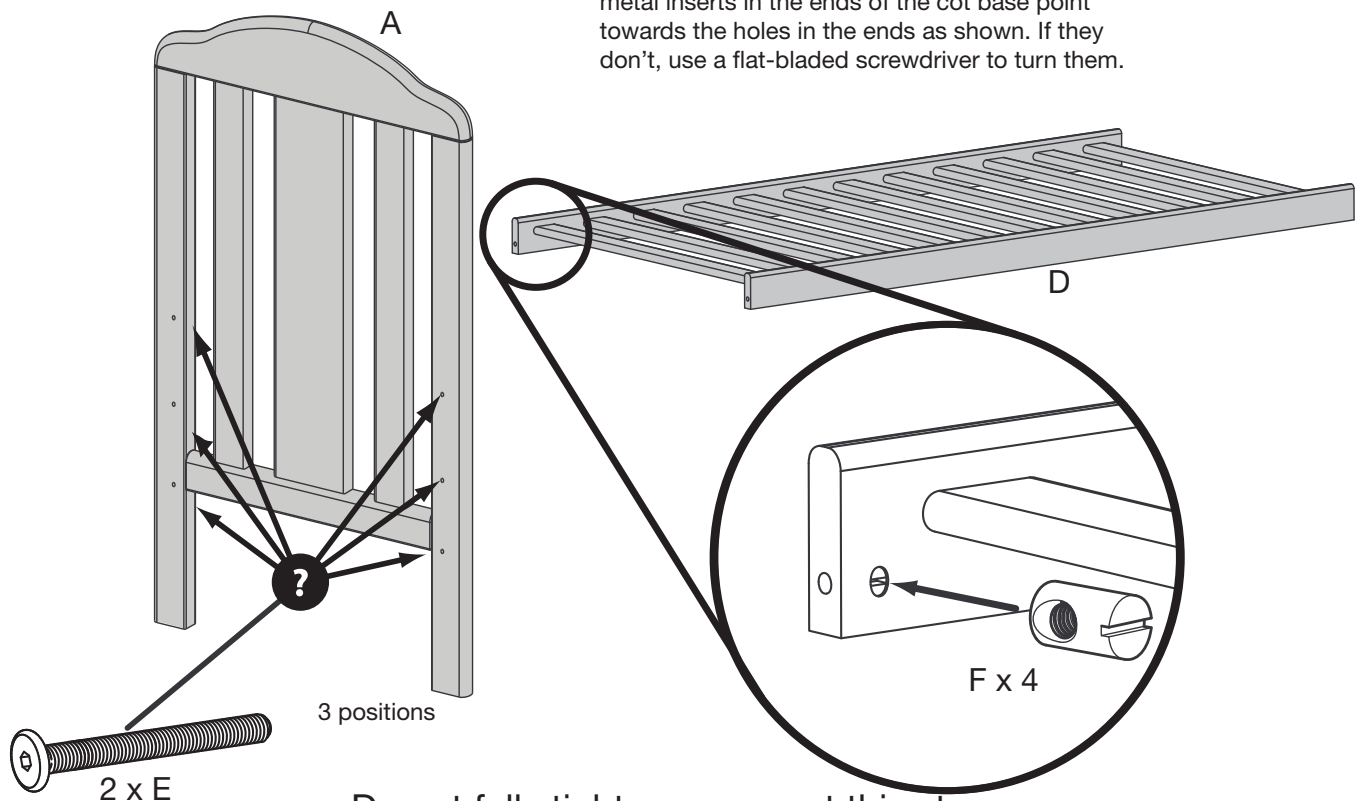
The help of an assistant will aid assembly



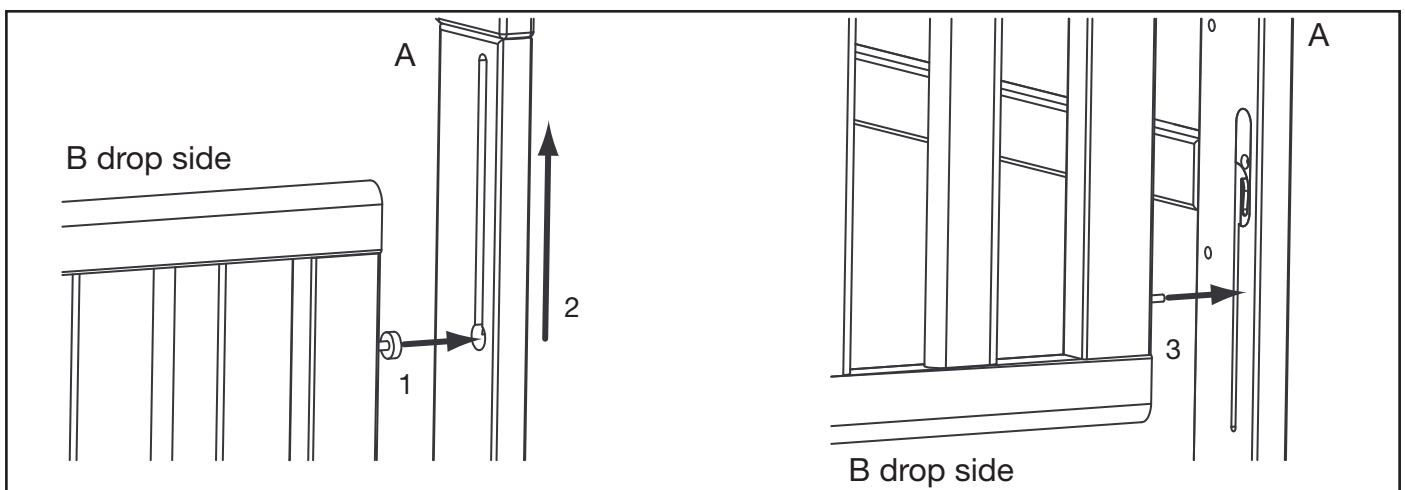
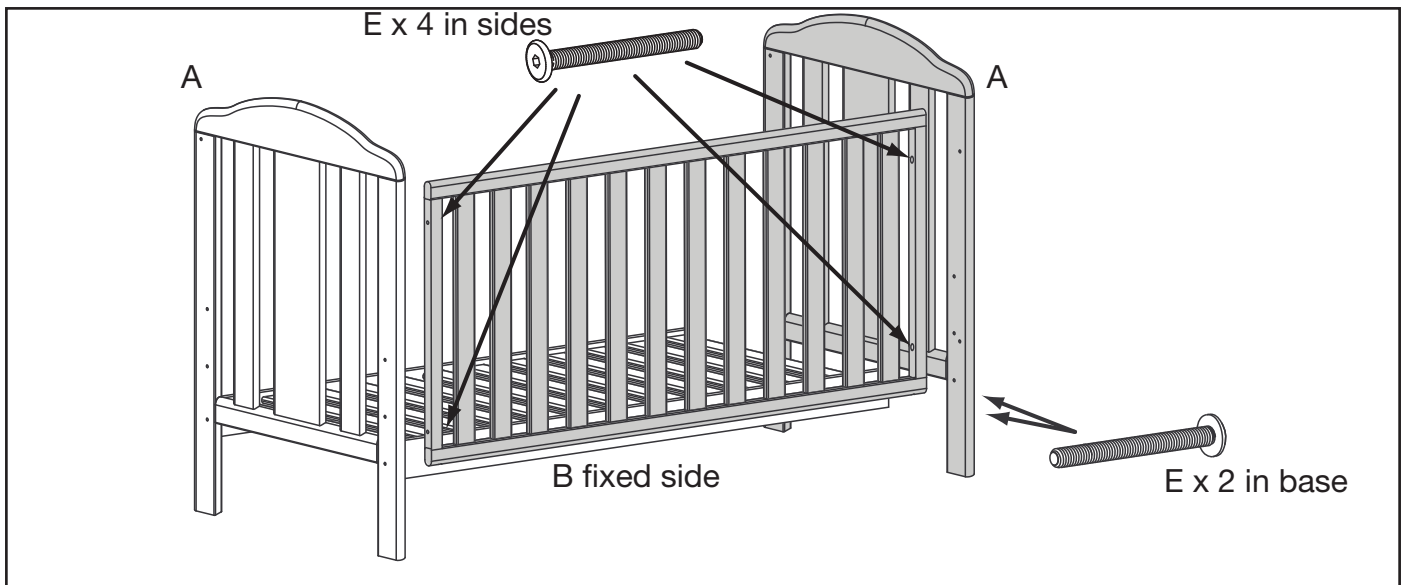
PLEASE DISPOSE OF PACKAGING MATERIAL.
PLASTIC BAGS CAN BE DANGEROUS TO YOUNG CHILDREN

COT ASSEMBLY

Before assembly, make sure that the slots in the metal inserts in the ends of the cot base point towards the holes in the ends as shown. If they don't, use a flat-bladed screwdriver to turn them.



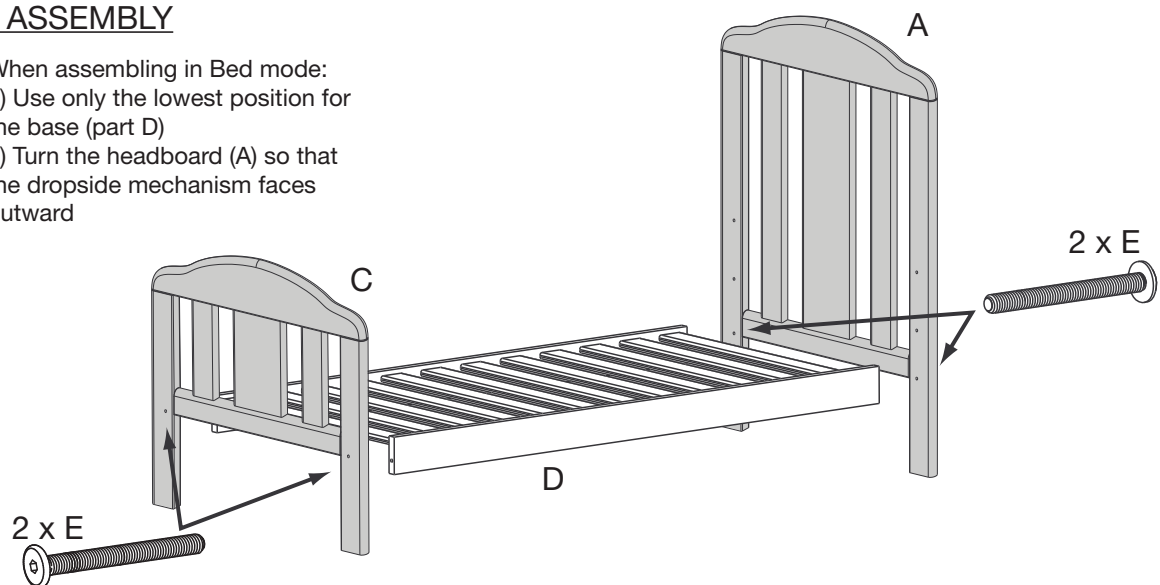
Do not fully tighten screws at this stage.



To operate the Dropside;
 Grasp the top rail in the centre and lift slightly.
 Press the bottom of the dropside in with your leg - this will disengage the locks and allow the side to drop. To raise the side, simply lift until it clicks into place. If difficulty is experienced then lift and press in with your leg one end at a time.
When assembly has been completed, fully tighten all screws.

BED ASSEMBLY

- When assembling in Bed mode:
- 1) Use only the lowest position for the base (part D)
 - 2) Turn the headboard (A) so that the dropside mechanism faces outward



WARNING: Do not place this child's bed near heat sources, windows and other furniture.
WARNING: Do not use this child's bed if any of the parts are broken, torn or missing.

IN USE

The base can be adjusted in height in cot mode, but the lowest position is the safest and should always be used in that position as soon as the baby is old enough to sit up.

This product is suitable for a mattress of 1400mm in length and 700mm in width. When used in cot mode, the maximum thickness of the mattress is 100mm.

The length and width of the mattress shall be no less to ensure the gap between the mattress and the sides and ends does not exceed 30mm.

The thickness of the mattress shall be such that the internal height (surface of the mattress to the upper edge of the cot frame) is at least 500mm in the lowest position of the cot base and at least 200mm in the highest position of the cot base.

To prevent injury from falls the cot should no longer be used for the child once they are able to climb out of the cot.

If you leave the child unattended in the cot, always make sure that the dropside is in the raised position.

A light application of a wax polish to the dropside grooves in the end panels will aid operation.

The bed mode is suitable for a child from 18 months old.

Children are likely to play, bounce, jump and climb on beds, therefore the child's bed should not be placed too close to other furniture or windows, and should be placed either tight to any wall or have a gap of 300mm between the wall and the side of the bed.

CARE AND MAINTENANCE

All assembly fittings should be tightened properly and should be checked regularly and re-tightened as necessary.

To clean use a damp cloth, avoiding the use of strong detergents or abrasives.

An occasional light application of a wax polish will help maintain a good appearance.

WARNING: YOUR CHILDREN'S SAFETY IS YOUR RESPONSIBILITY

This product has been designed and manufactured to: BS EN 716-1: 2008 in cot mode and BS 8509: 2008 in bed mode.

Warning: Do not use the cot if any part is broken, torn or missing and use only spare parts approved by the manufacturer.

Warning: Do not leave anything in the cot or place the cot close to another product, which could provide a foothold or present a danger of suffocation or strangulation, e.g. strings, blind/curtain cords, etc.

Warning: Do not use more than one mattress in the cot.

Warning: Be aware of the risk of open fires and other sources of strong heat, such as electric bar fires, gas fires, etc. near the vicinity of the cot.

In the case of assembly difficulties, missing parts or other queries, please contact the
Customer Care Hotline for this product on:
01692 408802

e a s t c o a s t