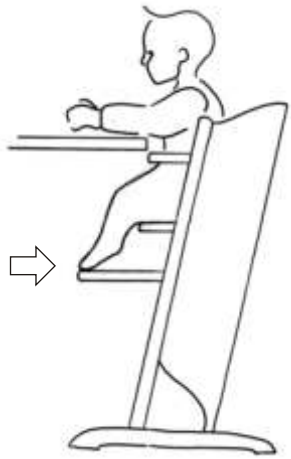
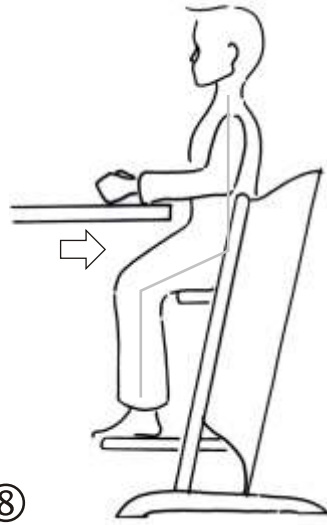


GB ADJUSTMENT OF SEAT

Children up to approx 2 years should reach the step plate only with the tip of the toes ⑦. Children from about 2 years should sit with open sitting angle and should be able to place their feet flat on the rest ⑧.



⑦



⑧

GB IMPORTANT!

- Please check and tighten the screws regularly.
- Please check the adjustment of seat regularly and adjust again if necessary.

KEEP FOR FUTURE REFERENCE

- Always ensure the product is used on a level stable surface.
- All hazards such as electrical flex should be kept out of reach of the child in the highchair.
- Your highchair can be cleaned by wiping with a damp cloth and drying with a soft dry cloth.
- Periodically check for damage and discontinue use if any part is damaged or broken.

MOIZI 1

GB ACCESSORIES FOR FITTING

Please keep the fitting instructions and the Allen key for later use.



1 x



25 mm / 2 x



45 mm / 6 x

ACCESSORIES FOR FITTING HARNESS

③



1 x



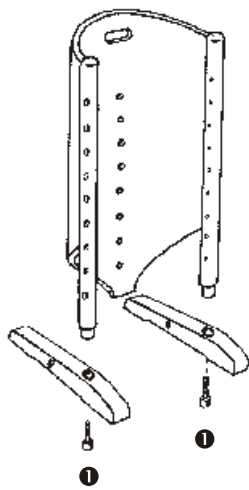
3 x



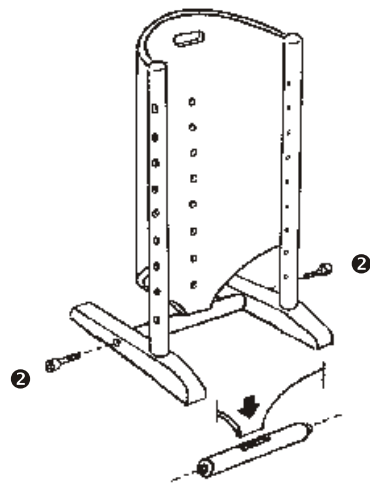
GB CONSUMER INSTRUCTIONS

- Suitable for childrens from approx 8-9 months of age upto pre/teen age.
- Your child should only sit in the chair for short periods.
- The safety harness is to prevent your child sliding off the chair. The harness must always be fixed tightly secured.
- **Never leave your child unattended in the highchair!**

①

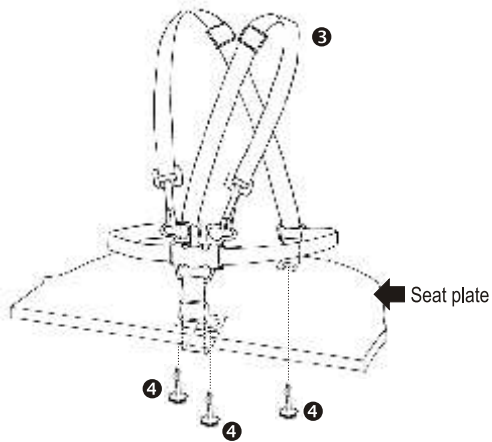


②

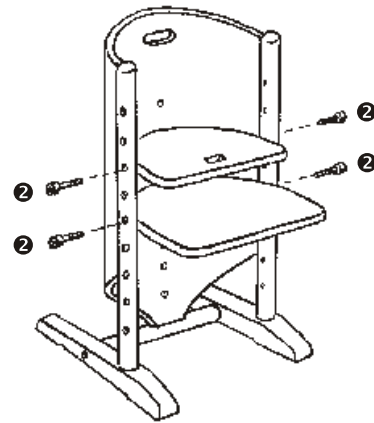


GB During the assembling of point ①-④ please lightly tighten the screws ① and ②. These should only be finally tightened once the chair is fully assembled. See below.

③



④



GB ③ The harness ③ must always be fitted to the seat and this should be done prior to assembly of the seat into the chair. The front crotch strap must be passed through the slot in the seat and using one of the screws ④ provided fix it securely. The two rear straps must then be passed over the rear of the seat and also fixed securely using the remaining two screws ④. The seat and harness should then look the same as sketch ③. Ensuring the harness is uppermost fix the seat to the chair as shown in ④.

Zubehör/Accessories for fitting

①



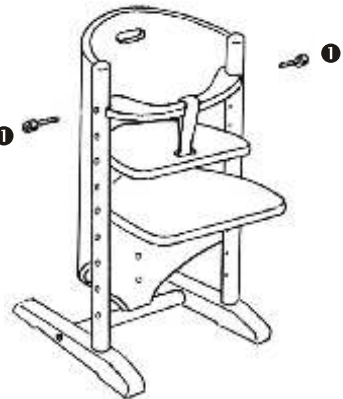
Zubehör/Accessories for fitting

①



GB **ASSEMBLING RAIL/TABLE**
Always use the rail/table for small children!
Once the chair is fully assembled tighten all screws.

⑤



⑥

