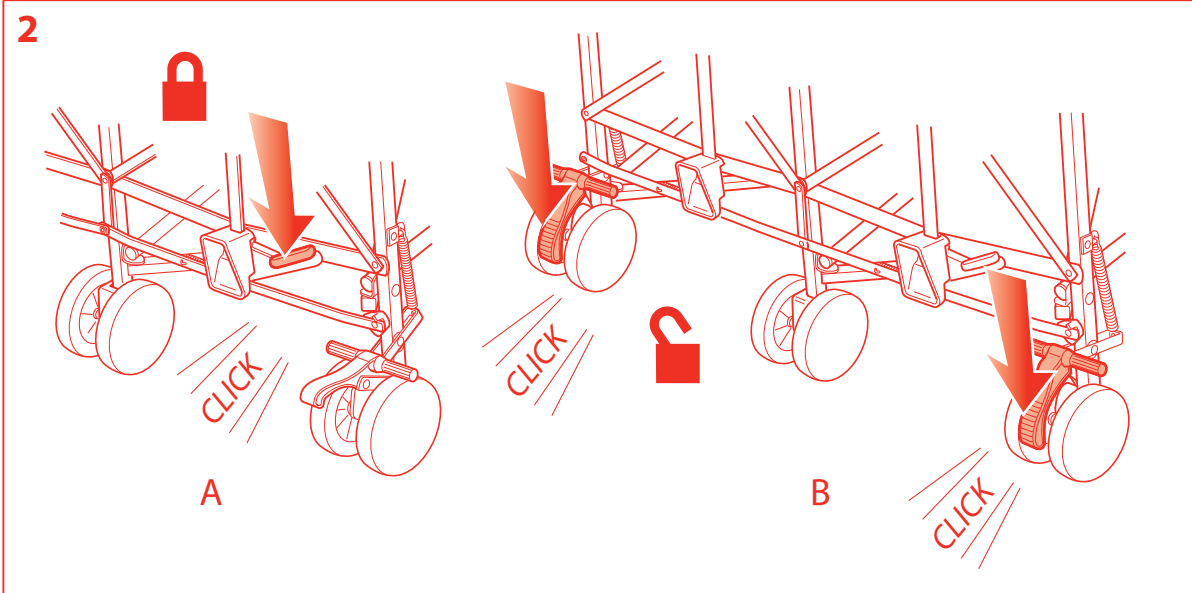
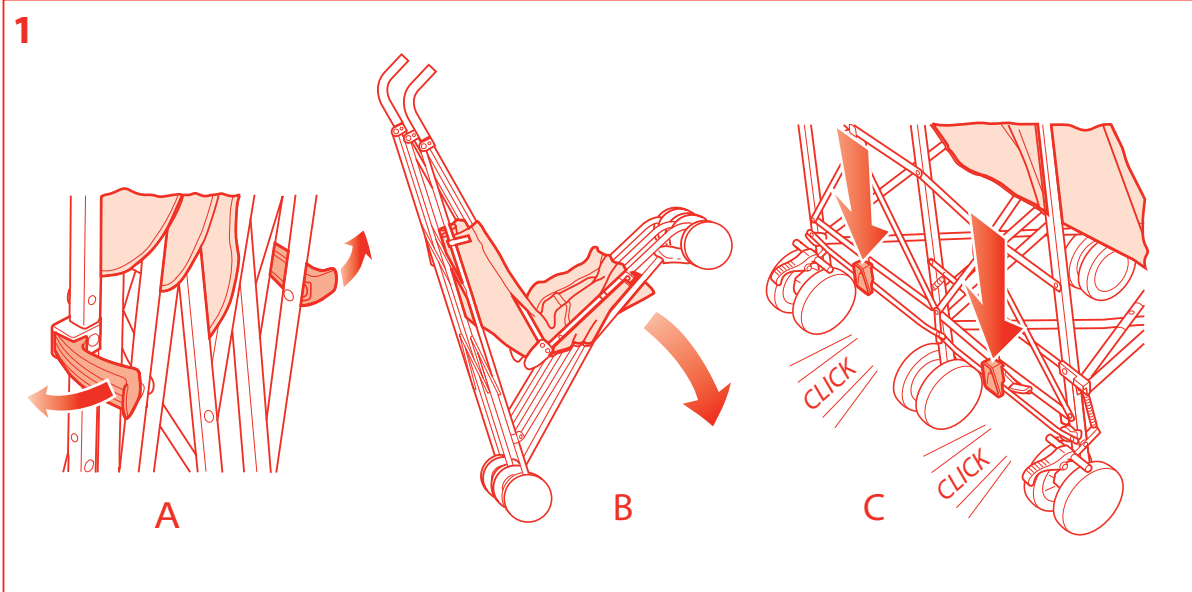
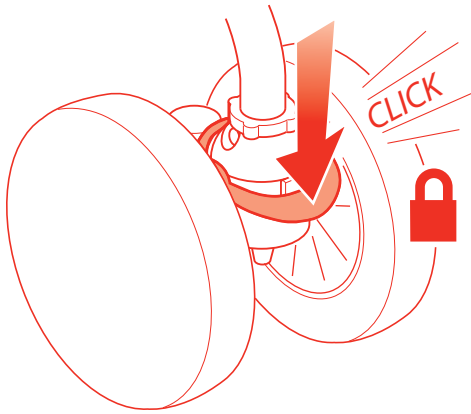


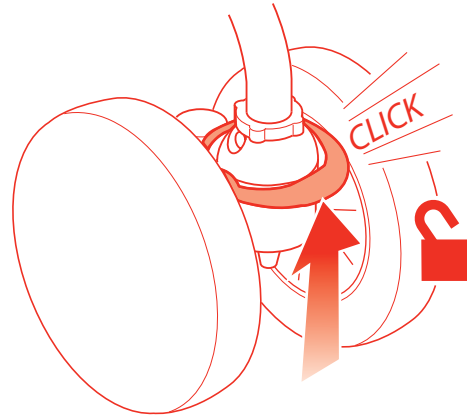
MACLAREN
twin triumph



3

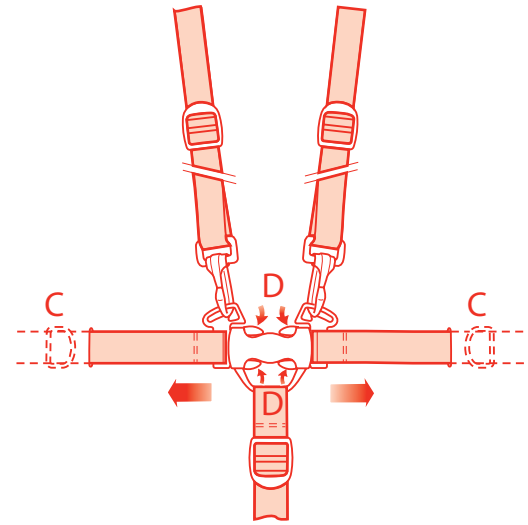
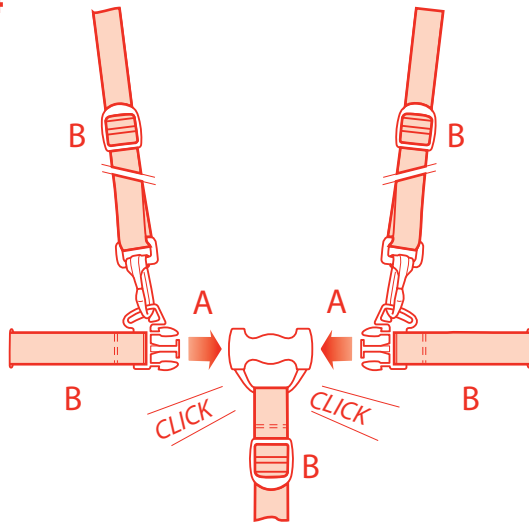


A

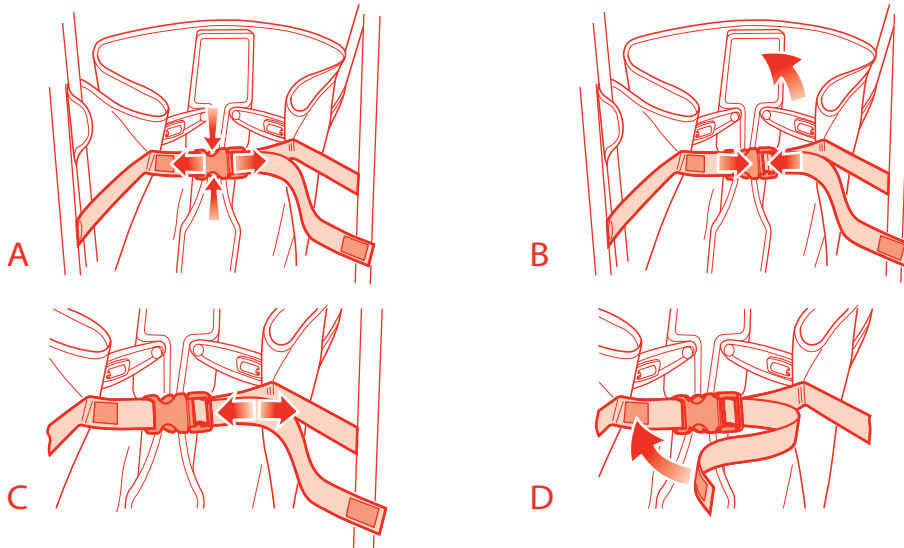


B

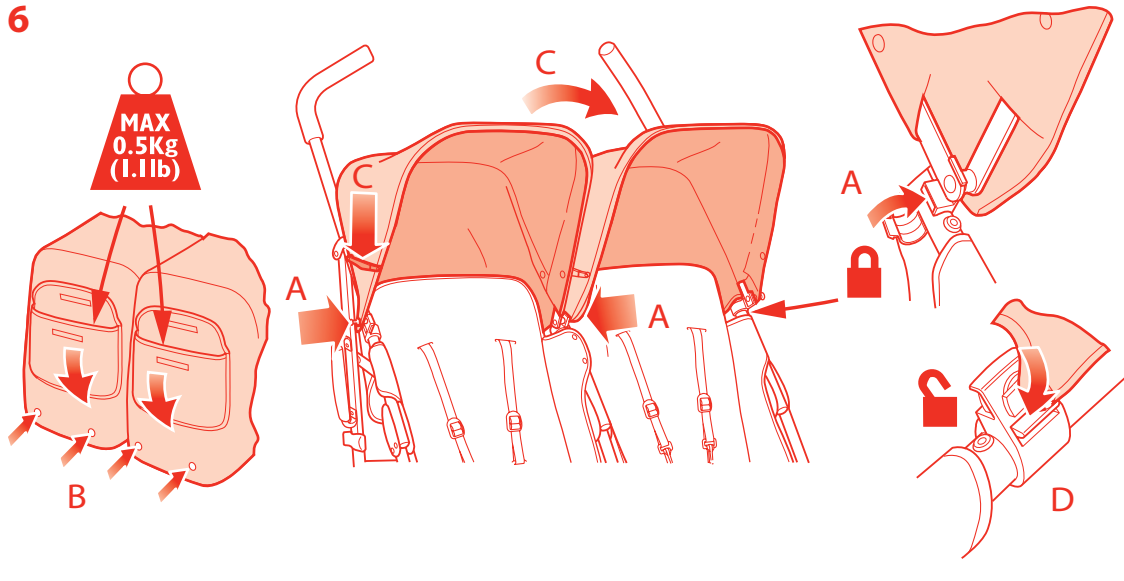
4

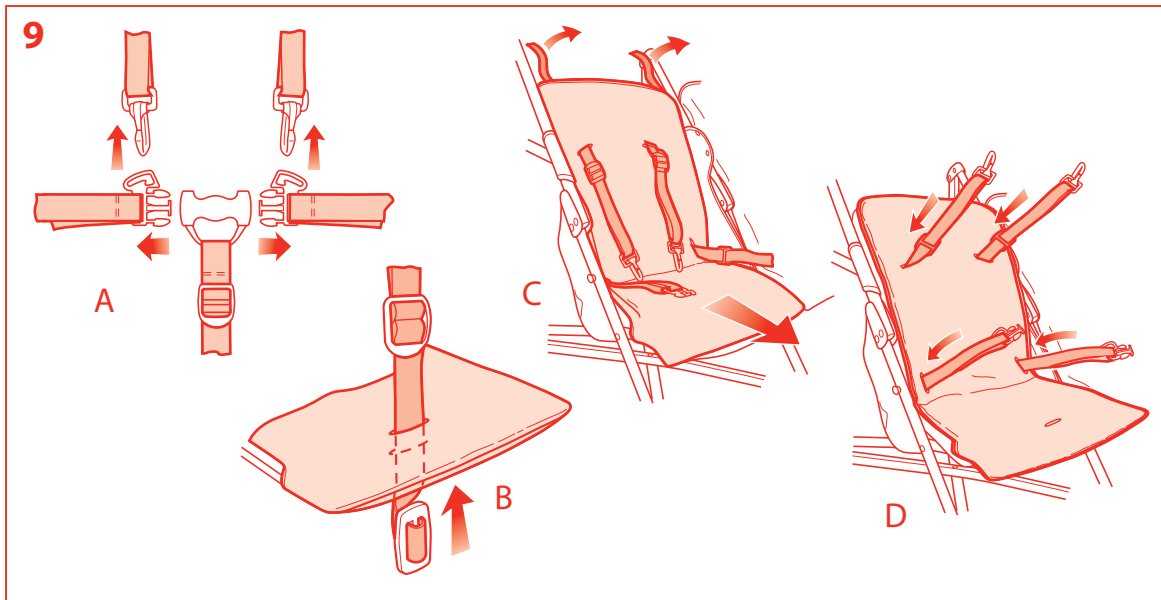
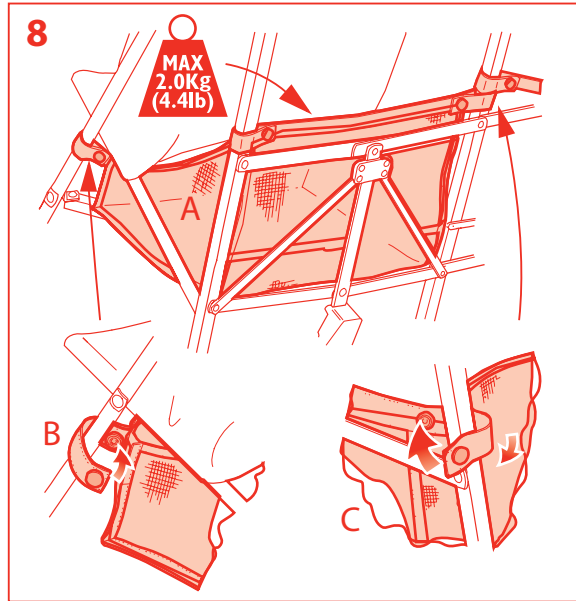
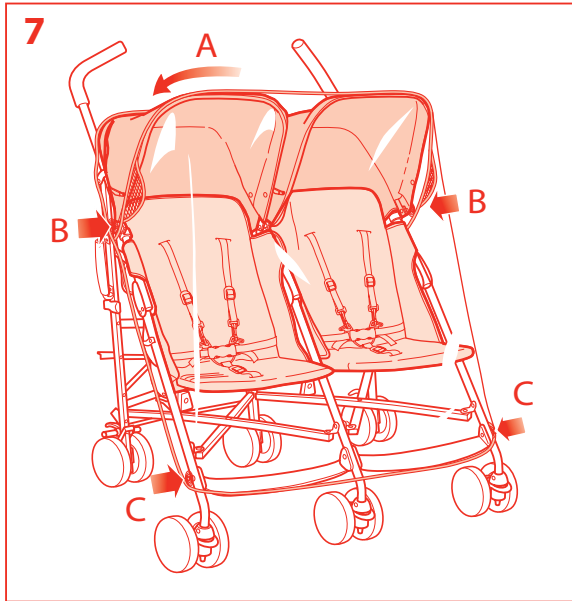


5

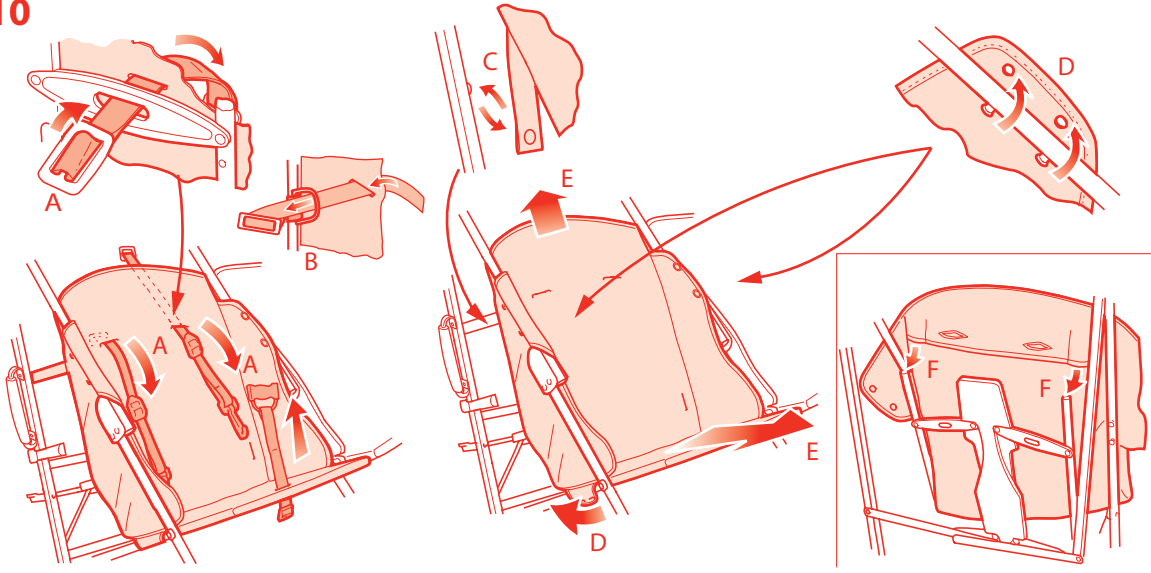


6

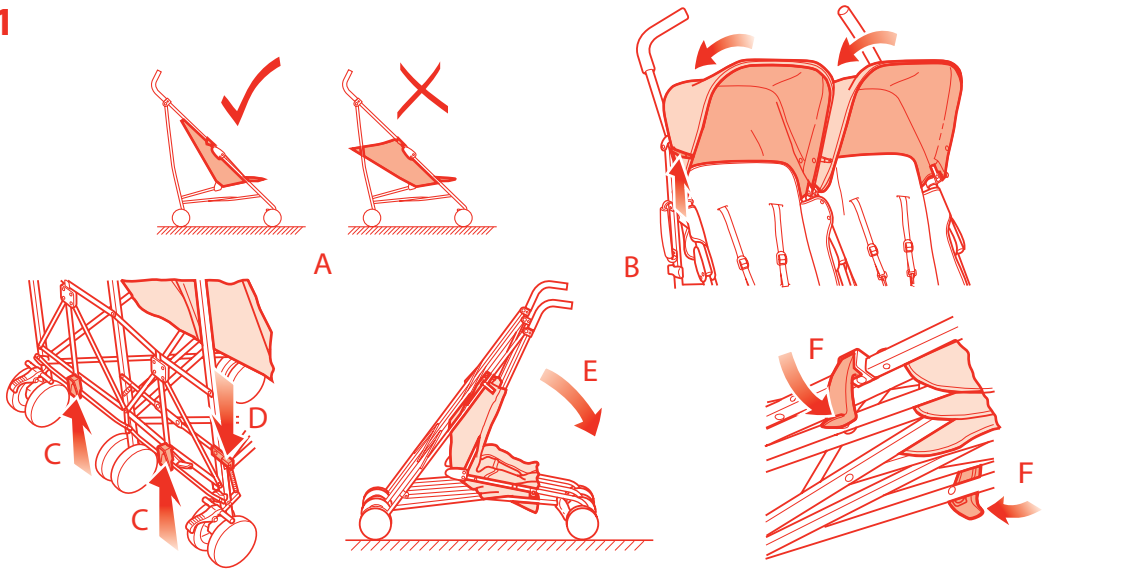




10



11



Warranty

Your Maclaren stroller is guaranteed to be free from any manufacturing defects for a period of 1 year from the date of purchase under normal use and provided it is used in compliance with the operating instructions. This warranty extends only to the original retail purchaser and is only valid when supplied with proof of purchase. Please retain proof of purchase with this Limited Warranty.

Should a repair be needed please contact the retailer from whom the product was purchased, or one of the Maclaren Authorised Service Agents.

Please note that the warranty will not be applicable if:

A fault is the cause of misuse or poor maintenance.
Please refer to this instruction leaflet for guidance on how to maintain your stroller.

Repairs are carried out by a third party.

The stroller is faulty due to general wear and tear which is the result of everyday use.

A stroller is damaged as a result of an accident.

Maclaren are not satisfied that the stated warranty terms and conditions have been met.

THIS WARRANTY IS GIVEN IN ADDITION TO AND DOES NOT AFFECT
YOUR STATUTORY RIGHTS

Contents

2 EN

Attendant user guide

Please read this User Guide fully prior to use ensuring reference is made to the numbered diagrams on the final pages.

Retain this User Guide for future reference

5

Operation Illustrations

10

Warranty Information

General Information & Safety

WARNING: IT MAY BE DANGEROUS TO LEAVE YOUR CHILDREN UNATTENDED. THE SAFETY OF CHILDREN IS YOUR RESPONSIBILITY. AVOID SERIOUS INJURY FROM FALLING OR SLIDING OUT. ALWAYS USE THE SEATBELTS.

THIS VEHICLE IS SUITABLE FOR TWO CHILDREN.

IMPORTANT: KEEP THESE INSTRUCTIONS FOR FUTURE REFERENCE

- Follow all instructions carefully. Incorrect use will cause damage to stroller.
- Children should be harnessed in at all times and should never be left unattended.
- **IMPORTANT - It is important for your child's safety that the harness be correctly fitted and adjusted. If not adjusted correctly in accordance with the instructions the stability of the stroller will be impaired.**
- The harness and seat belt are not a substitute for proper adult supervision.
- For extra safety 'D' rings are provided for the attachment of a separate, full harness (to EN13210 or BS6684).
- Children should be clear of moving parts while making adjustments. **IMPORTANT-DANGER: It is important that great care is taken to ensure that children are kept well clear of the stroller when folding or unfolding the product. Finger traps and scissoring actions are unavoidable during these operations.**
- Do not carry additional children, goods or accessories in or on this stroller except as permitted in this leaflet. They may cause the stroller to become unstable.
- Overloading, incorrect folding and the use of accessories, e.g. child seats, bag hooks, rain covers, buggy boards, etc., other than those approved by Maclaren may damage or break this vehicle.
- Any damage caused by the use of accessories not supplied by Maclaren will not be covered by the terms of our warranty.
- Never leave children in the stroller when ascending or descending stairs or escalators or when travelling on other forms of transport.
- The stroller should always open and fold easily. Do not force it. It may be necessary to re-read the instructions.
- Negotiate kerbs and rough ground carefully. Repeated impact will cause damage to the stroller.
- Never allow children to stand on the footrest.
- Do not leave the stroller exposed to heat i.e. by a radiator or in direct sunlight.
- Do not place items on the top of the hood.

MAINTENANCE AND REPAIR

- This vehicle requires regular maintenance by the user. Regularly check all rivets and connecting devices for tightness and security. Inspect all brakes, wheels and tyres and replace or repair, if necessary. Check all safety devices for correct operation, in particular the primary and secondary locks. These should be free to move at all times. Never continue to use a product that is not structurally sound.
- We recommend a service every 12 months.
- If wheels squeak, lubricate sparingly with WD40 Teflon or silicone coating. Do NOT use oil or grease based products, as this will attract dirt, which will clog the movement.
- Only Maclaren replacement parts should be used. It may be unsafe to use parts not supplied by Maclaren.

CLEANING

- Clean frame with a damp cloth and a mild detergent and dry thoroughly. Do not use abrasives.
- If the stroller chassis parts have been exposed to salt water we recommend that they be rinsed down with fresh (tap) water as soon as possible afterwards.
- The hood may be sponged lightly using a damp cloth and a mild detergent. The seat cover may be washed - see care label for details. Dry thoroughly before reuse.
- Do not fold or store the product while wet and never store in a damp environment as this can cause mildew to form.

Maclaren reserves the right to make design changes to any of their products as part of their continuous development programme.

This product is designed and manufactured to comply with BS7409: 1996 and BS EN1888-2003 (Safety requirements for wheeled child conveyances).

EN

Instructions

IMPORTANT:

- **READ THESE INSTRUCTIONS CAREFULLY BEFORE USE AND KEEP THEM FOR FUTURE REFERENCE.**
- **YOUR CHILDREN'S SAFETY MAY BE AFFECTED IF YOU DO NOT FOLLOW THESE INSTRUCTIONS.**

1 TO OPEN THE STROLLER

- A Release BOTH storage clips.
- B Open out the stroller.
- C Using foot, push BOTH footplates down fully to engage the primary locks.

WARNING: Ensure that all locking devices are fully engaged before use.

2 TO OPERATE BRAKES

- A TO ENGAGE BRAKES: With foot, push down the ON lever.
- B TO RELEASE BRAKES: Push down on BOTH brake levers.

Parking device shall be engaged during the loading and unloading of children.

3 TO OPERATE FRONT WHEEL SWIVEL LOCKS

- A TO LOCK SWIVELS: Align front wheels and press down on locking levers.
- B TO UNLOCK SWIVELS: Raise locking levers.

4 SEAT BELT/SHOULDER HARNESS OPERATION

WARNING: Avoid serious injury from falling or sliding out. Always use the crotch strap in combination with the waist belt and shoulder straps.

TO FIT HARNESS:

- A Insert both fasteners securely into clasp.
- B Adjust strap lengths by sliding buckles. Belt and harness should be snug.
- C 'D' rings are included for an additional harness, if desired.

TO RELEASE HARNESS:

- D Squeeze fastener prongs and pull apart.

5 TO ADJUST SEAT RECLINE

- A TO RECLINE SEAT BACK: Locate adjustment strap on rear of seat back. Squeeze fastener prongs and pull apart.
- B TO RAISE SEAT BACK: From rear of stroller push seat back to upright position and insert fastener securely into clasp.
- C Further intermediate adjustment can be made by shortening or lengthening the strap.
- D After adjustment, secure the loose strap by attaching the Velcro pads.

6 ATTACHING THE HOOD

CAUTION: Overloading may cause a hazardous unstable condition to exist. Maximum carrying capacity of hood pouch - 1.1 lb (0.5kg.) per pouch.

- A With stroller open, clip the hood to the handle tubes just above the retaining rivets.
- B Place the rear apron behind seat backs and attach poppers.
- C Extend hoods and press down on both side hinges of each hood to lock open.
- D The hood is removed by firmly pressing down on the hood release tabs.

7 TO FIT THE RAIN APRON

- A Place the apron over the hood.
- B Attach two eyelets (one each side) to the hood clips.
- C Attach two eyelets (one each side) to the front legs.

8 TO FIT THE SHOPPING BAGS

CAUTION: Overloading may cause a hazardous unstable condition to exist. Maximum load 4.4lb (2kg) evenly distributed.

The stroller may be folded with the bags still attached but all contents must be removed.

Failure to do this could damage stroller and contents of shopping bag.

- A Place bags on the 'X' frame under seat with lowest edge of bag at front.
- B Attach front straps to front legs just below seats.
- C Attach rear straps to rear legs just above horizontal tie bars.

9 REMOVING AND REFITTING THE SEAT LINERS

The seat liners may be removed for washing.

The seat liners are reversible.

- A Unclip all shoulder and waist straps.
- B Twist crotch strap buckle and feed up through seat base and liner holes.
- C Detach Velcro retaining straps from seat rear and slide seat liner from seat base.
- D Feed waist straps and shoulder harness straps through holes in liner.
- E Reverse this procedure to refit the seat liners ensuring crotch strap buckle passes through seat liner hole and seat base hole.

10 REMOVING AND REFITTING THE SEAT COVER

Remove rain apron, hood and seat liners from stroller if fitted.

- A Twist shoulder strap end buckles and feed through holes.
- B The waist harness back strap is fixed to the chassis behind the seat. To remove, twist the buckles on each end of the harness back strap and unthread from the 'D' rings attached to the chassis. IMPORTANT – It is important that the strap be rethreaded through the 'D' rings after the seat has been refitted. Failure to do so will endanger your child.
- C Unclip seat cover retaining straps.
- D Unfasten seat fabric from handle tubes and seat base.
- E Slide fabric from seat back and base.
- F Reverse this procedure to refit the seat cover and harnesses ensuring seat back support tubes are inserted into fabric fold.

11 TO FOLD THE STROLLER

Ensure the seat back is in its fullest upright position and the hood(if fitted) is folded back.

Remove contents of shopping bag.

It is recommended that the harness is fastened before folding the stroller.

- A Ensure the seat backs are in the fullest upright position.
- B Fold back the hood (if fitted).
- C Using foot, lift up BOTH footplates to release primary locks.
- D Push down on secondary lock lever.
- E Grip handles and push forward.
- F Compress folded stroller and engage BOTH storage clips.