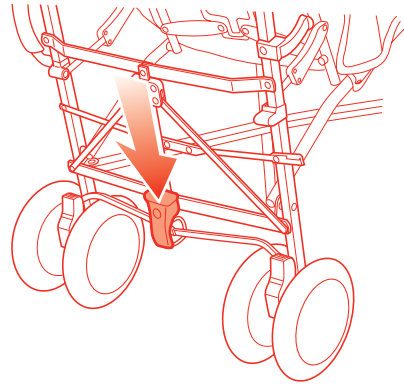
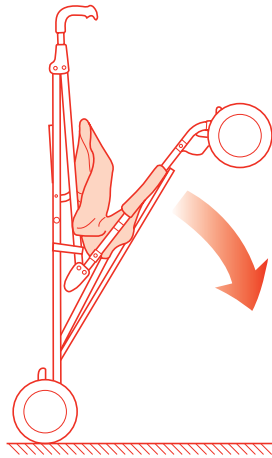
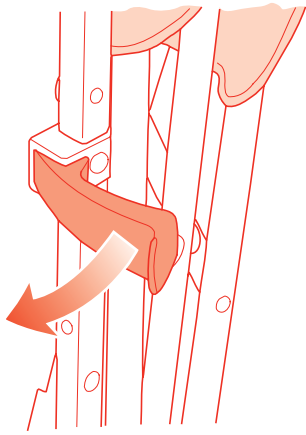
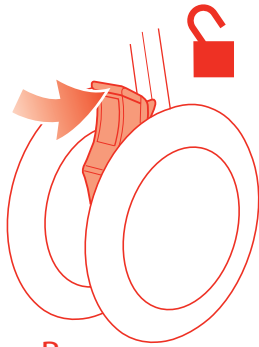
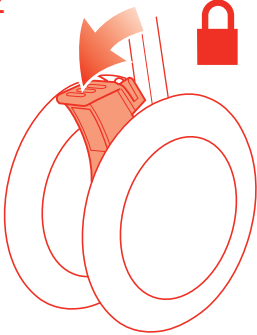


MACLAREN
techno xt

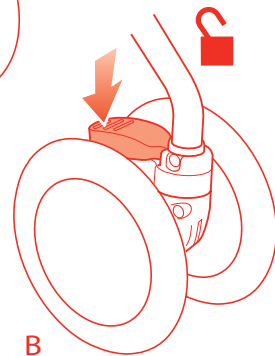
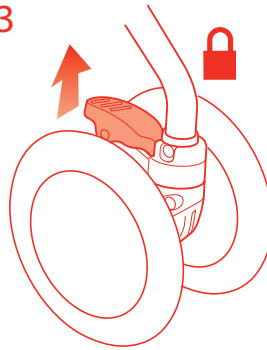
1



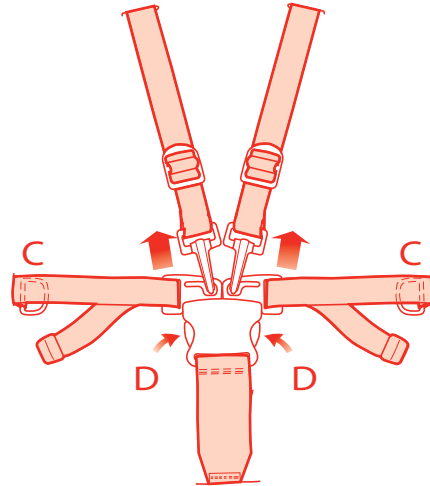
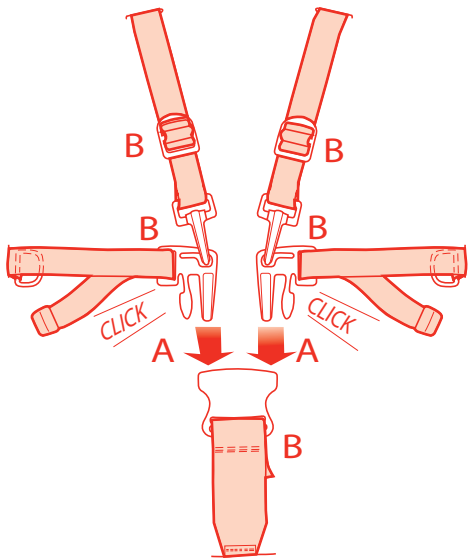
2



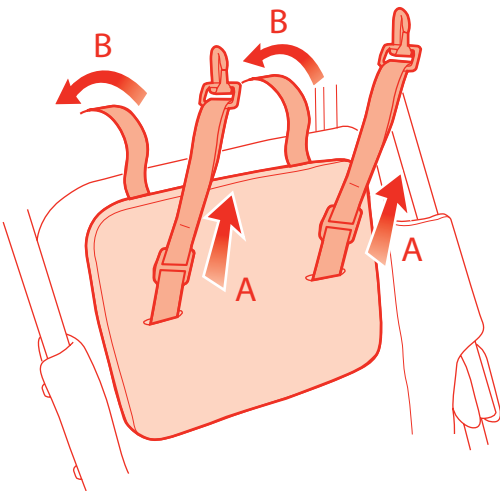
3



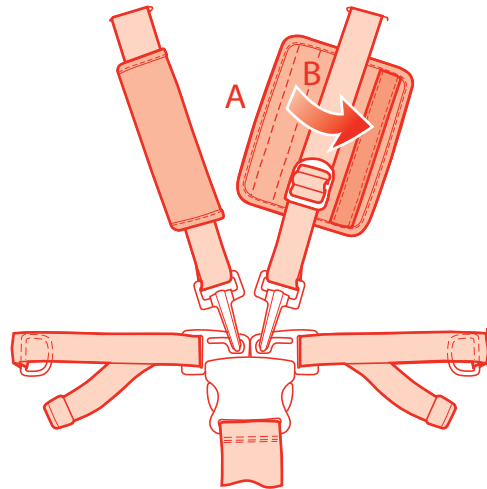
4

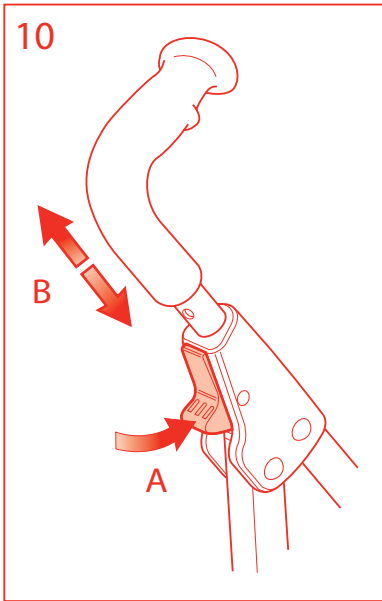
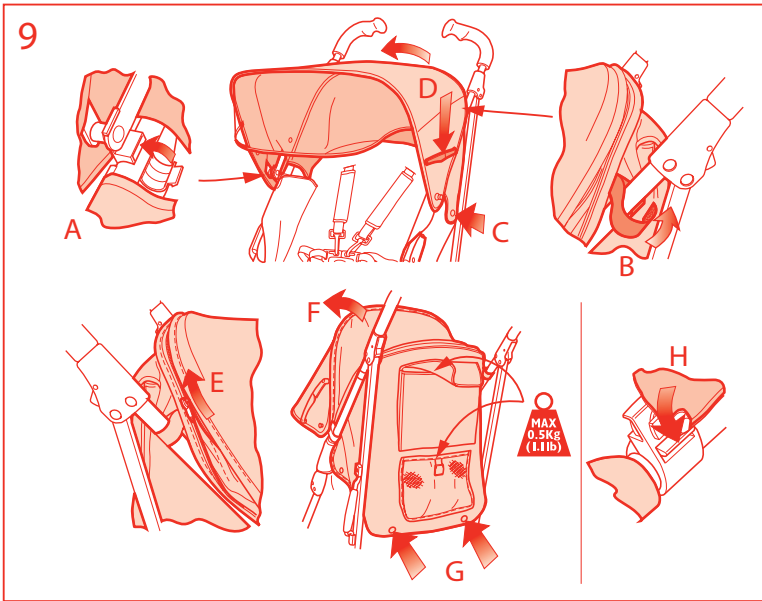
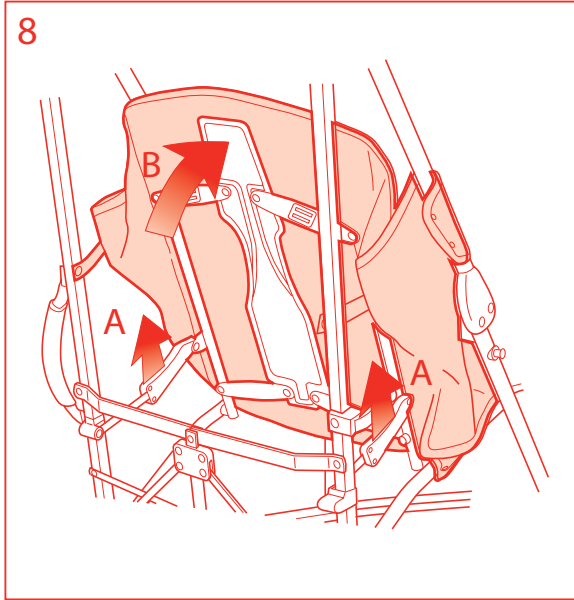
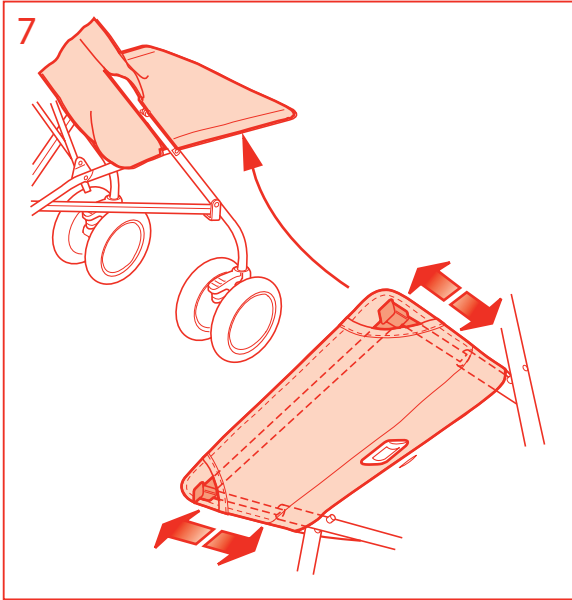


5

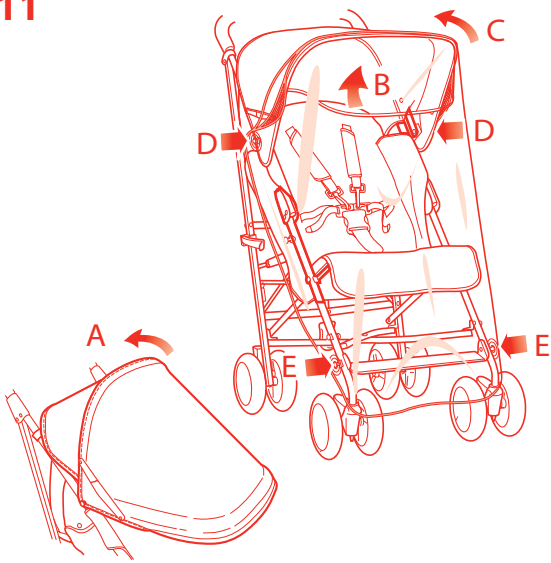


6

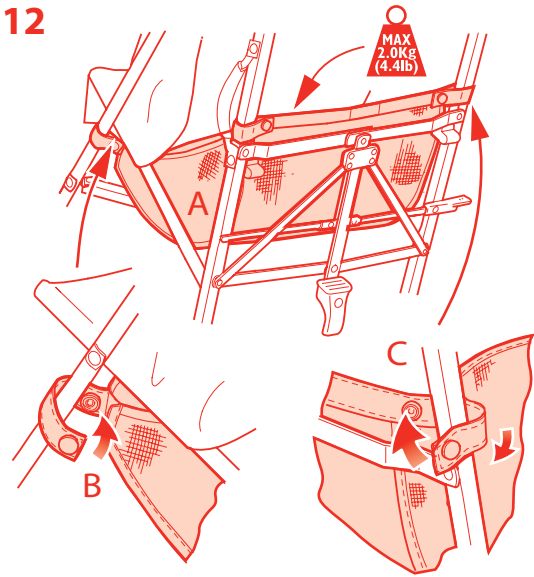




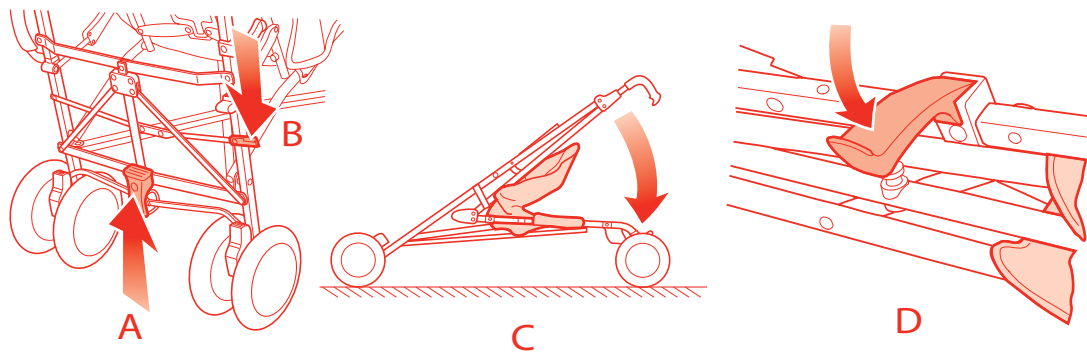
11



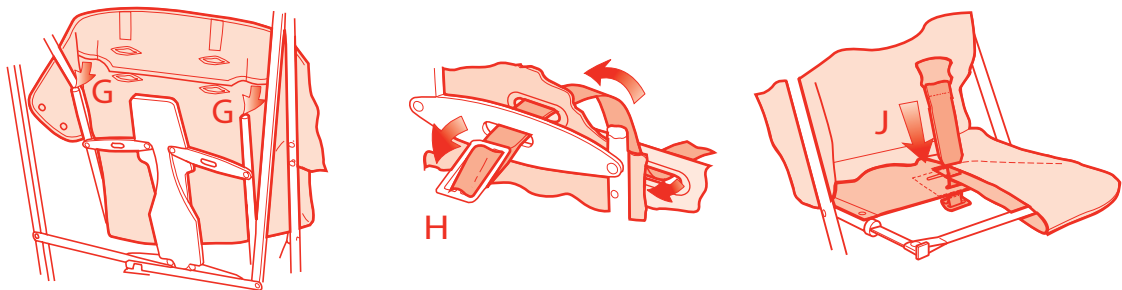
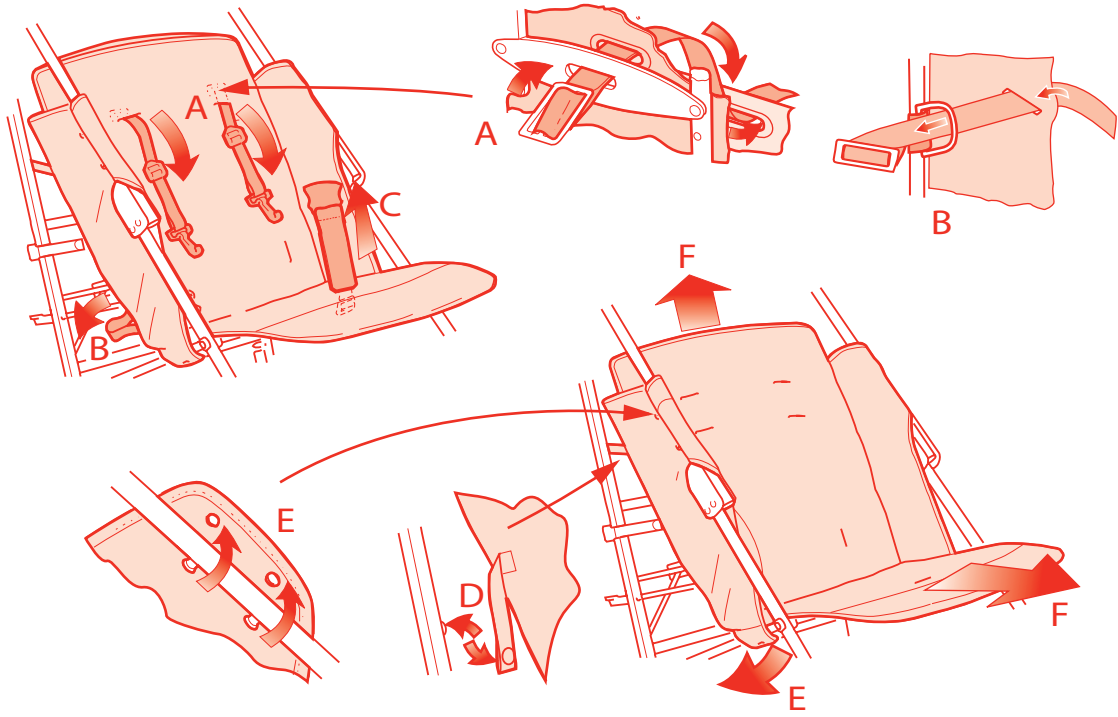
12



13



14



Warranty

Your Maclaren stroller is guaranteed to be free from any manufacturing defects for a period of 1 year from the date of purchase under normal use and provided it is used in compliance with the operating instructions. This warranty extends only to the original retail purchaser and is only valid when supplied with proof of purchase. Please retain proof of purchase with this Limited Warranty.

Should a repair be needed please contact the retailer from whom the product was purchased, or one of the Maclaren Authorised Service Agents.

Please note that the warranty will not be applicable if:

A fault is the cause of misuse or poor maintenance.
Please refer to this instruction leaflet for guidance on how to maintain your stroller.

Repairs are carried out by a third party.

The stroller is faulty due to general wear and tear which is the result of everyday use.

A stroller is damaged as a result of an accident.

Maclaren are not satisfied that the stated warranty terms and conditions have been met.

THIS WARRANTY IS GIVEN IN ADDITION TO AND DOES NOT AFFECT
YOUR STATUTORY RIGHTS