



M.P.V.

twin stroller
user guide



IMPORTANT. KEEP FOR FUTURE REFERENCE

introduction

Read these instructions carefully before use and keep them for future reference. Your child's safety may be affected if you do not follow these instructions.

This vehicle is intended for children from birth to 15kg and is designed to be used by one or two children only. It must not be used by more than two children at a time.

Features include comfy grip handles, 4 position reclining backrests and lockable swivel wheels.

Also included are a hood and raincover for weather protection, two baskets each for carrying up to 2kg of shopping and baby items, evenly distributed.

Safe travelling advice for you and your baby.

Pushchairs are an ideal way of transporting your baby. It is important to remember however, that during their first 3 months, babies should be spending most of their day lying flat for comfort and development.

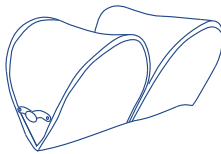
parts checklist

fig1a



stroller

fig1b



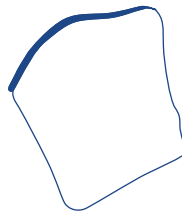
double hood

fig1c



head hugger

fig1d

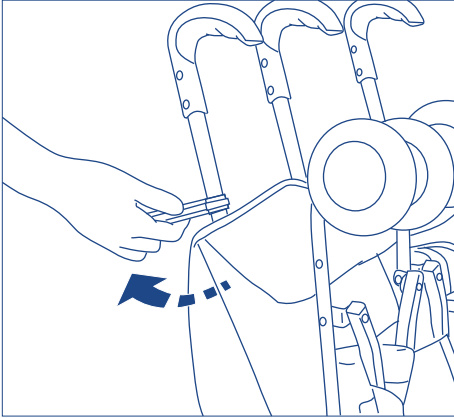


double raincover

preparation for use

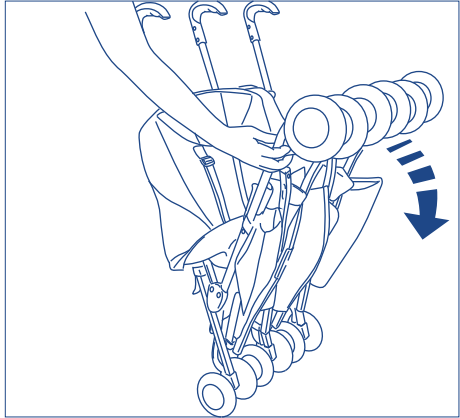
opening

fig 1



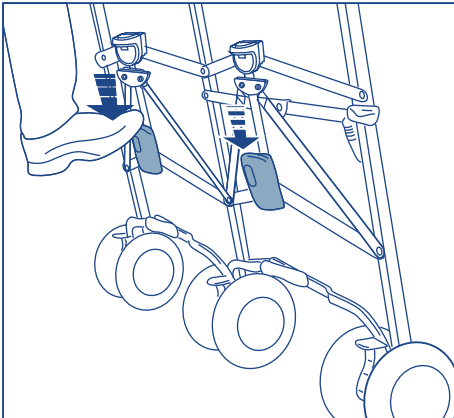
Release the catch.

fig 2



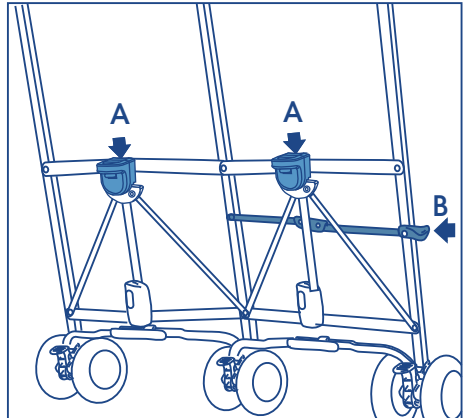
Push the front wheels down.

fig 3



Push down on the locking bars until straight.

fig 4



WARNING. Ensure that all the locking devices, A and B, are engaged before use.

preparation for use

hood

fig 5

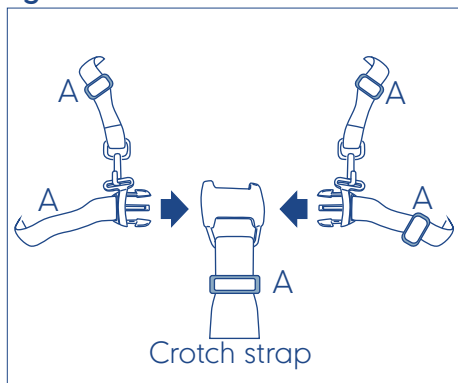


Attach the hood clips in the position shown.

Tip. It is easiest to push one end of the clip into place first, then twist the rest of the clip on to the tube.

harness

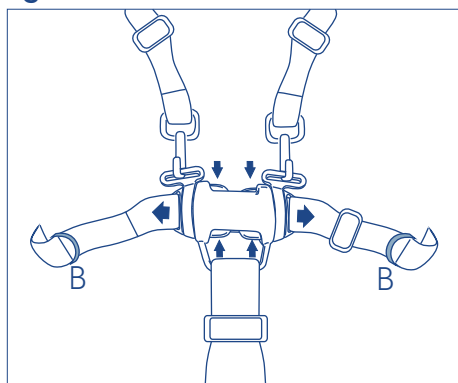
fig 6



WARNING. Use a harness as soon as your child can sit unaided.

To fasten
Insert both fasteners securely into the clasp.
Adjust each strap length with buckles A.

fig 7

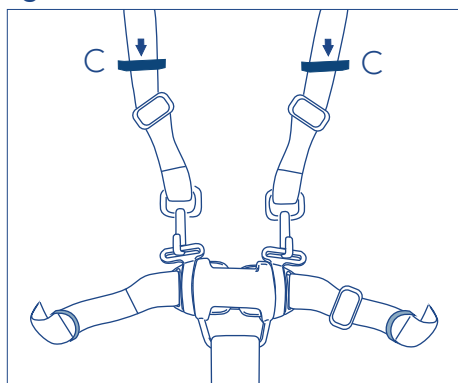


To release
Press the fastener prongs and pull apart.
'D' rings (B) are provided for fitting a separate harness complying with BS 6684 or BS EN 13210.

Your child should be securely harnessed at all times and should never be left unattended, even for short periods.

WARNING. Always use the crotch strap in combination with the waist belt.

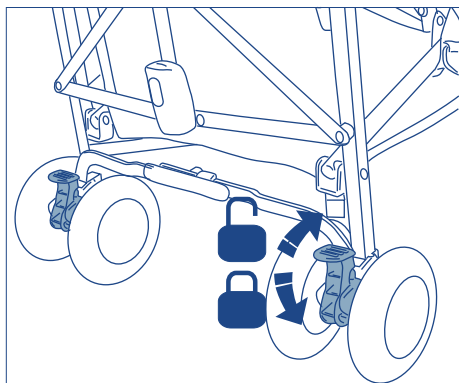
fig 8



IMPORTANT: For use from birth to 6 months, the harness **MUST** be threaded through webbing slots(c).
For use from 6 months, the harness does not need to be threaded through the webbing slots.

brakes

fig 9



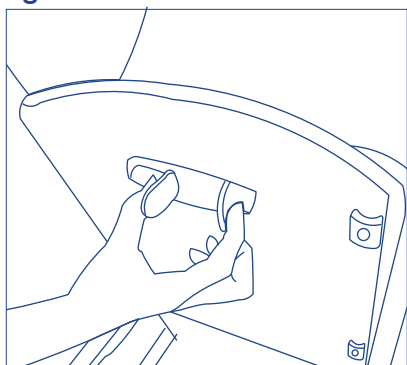
Push down on either brake pedal to start engaging the brakes. Push down on the metal bar to engage fully.

Check that the brakes have engaged correctly by gently pushing the stroller.

Pull up to release the brakes.

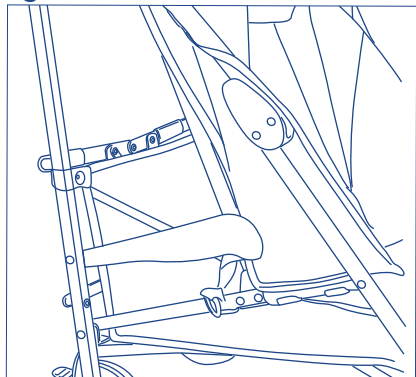
backrest

fig 10



The backrests can be individually reclined to a choice of 4 positions. Squeeze the adjusters at the back of the seat unit, recline the seat unit to the required position. Ensure seat unit is securely clicked into position.

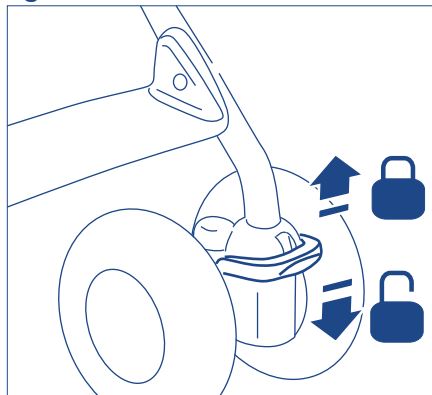
fig 11



To raise the backrest, squeeze the adjusters at the back of the seat unit; raise the seat unit to the required position. Ensure seat unit is securely clicked into position, always ensuring that the backrest is secure before use.

swivel locks

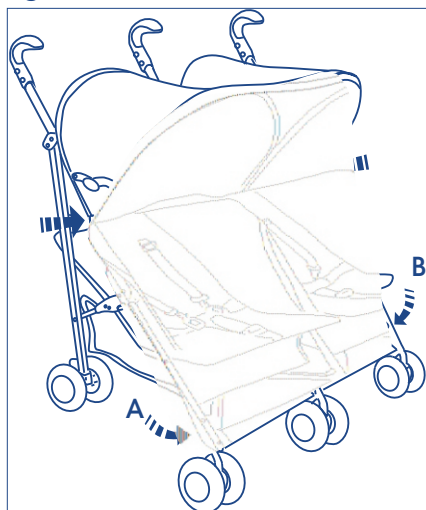
fig 12



To lock the swivels - align the front wheels and raise each lock.
To unlock the swivels - push down on each lock.

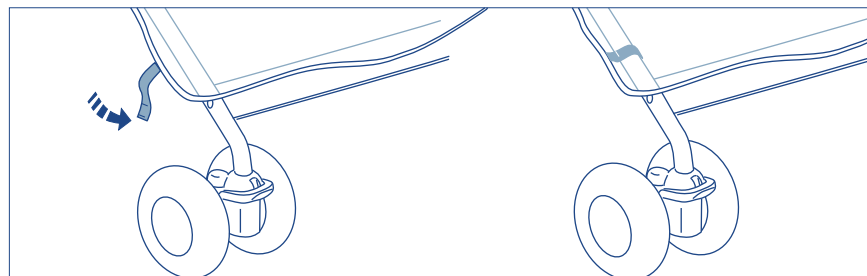
fitting the rain cover

fig 13



Place the rain cover over the hood.
Attach the fasteners on each side of the top of the cover

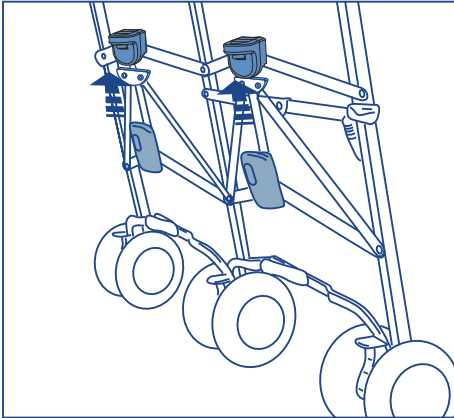
Attach tabs A-B as shown.



after use

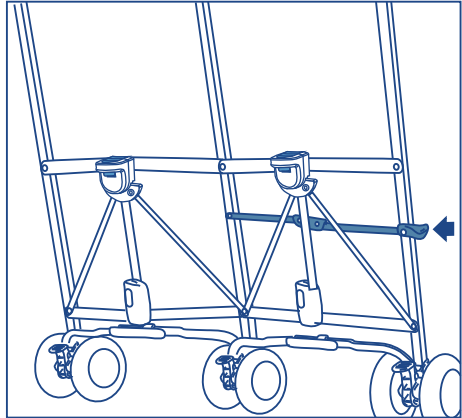
folding

fig 14



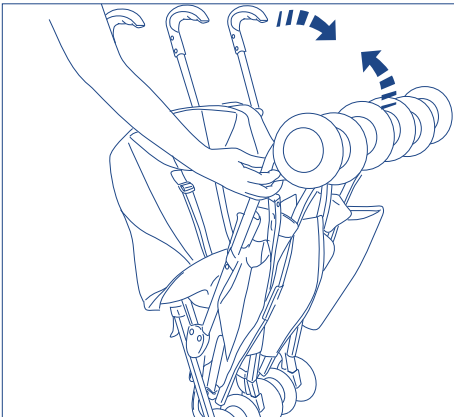
The main lock is "double action". The button under the lock must be depressed and held while the lock is lifted.

fig 15



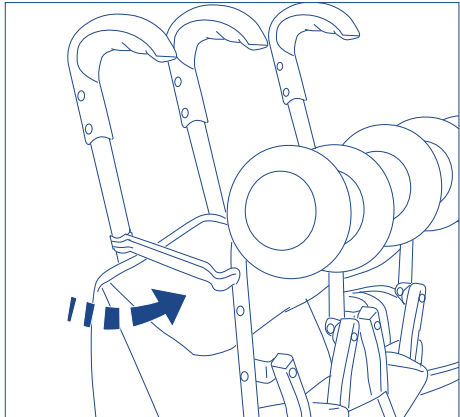
Press the secondary lock down.

fig 16



Push the handles forward.

fig 17



Secure the catch.

care of your product

- Your stroller requires maintenance by you.
- Regularly inspect the locks, brakes, harness, catches, seat adjusters, joints and fixings to ensure they are secure and in full working order.
- Brakes, wheels and tyres do wear and should be replaced if necessary. This can be arranged through your local Mothercare store.
- If parts become stiff or difficult to operate, ensure dirt is not the cause, then try a light application of a silicone lubricant, ensuring it penetrates between the components. Regular lubrication of moving parts will extend the life of your stroller and make opening and folding easier.
- Plastic and metal parts may be sponged clean with warm water and a mild detergent.
- The seat may be cleaned by sponging lightly using warm water and a mild detergent. Dry thoroughly before storing.
- Never clean with abrasive, ammonia based, bleach based or spirit type cleaners.
- After exposure to damp conditions, dry off with a soft cloth and leave fully open in a warm environment. Storing damp will encourage mildew to form.
- Store in a dry safe place.
- Do not leave in sunlight for prolonged periods - some fabrics may fade.
- Your stroller should be serviced and reconditioned before using it for a second baby, or within 18 months, whichever is the sooner. This can be arranged by your local Mothercare store.

safety notes

- This pushchair is intended for children from birth to approximately 3 years, maximum weight 15kg
- This pushchair complies with BS EN1888:2003
- This pushchair is designed to carry a maximum of two children.
- Warning: it may be dangerous to leave your child unattended.
- Warning: ensure all locking devices are engaged before use.
- Warning: ensure seat unit or car seat are correctly engaged before use.
- Warning: ensure your child wears a correctly fitting harness at all times.
- Warning: always use the crotch strap in combination with the waist belt section of the harness.
- For extra safety, d-rings are provided for the attachment of a separate safety harness approved to BS 6684 or BS EN 13210.
- Warning: this product is not suitable for running or skating
- Ensure children are clear of moving parts before making adjustments to the pushchair.
- Overloading, incorrect folding and the use of non-approved accessories may damage or break this pushchair.
- Do not allow your child to climb unassisted into the pushchair. Apply the brake before putting your child into the pushchair.
- Never leave the rain cover hoods or aprons on indoors, in a hot atmosphere or near a heat source as your child may overheat.
- Do not overload this pushchair with additional children, goods or accessories.
- Bags and other items should not be hung from the handles as this can affect the stability of the pushchair. A basket is provided for the carriage of 2kg of items evenly distributed.
- Always apply the brakes when the pushchair is stationary.
- Be careful when going up or going down kerbs. Remove your child and fold the pushchair when going up or down stairs or escalators.
- Don't let children play with or hang on the pushchair.
- If your pushchair is used by someone unfamiliar with it e.g. Grandparents, always show them how it works.