

KATIE II DROPSIDE COT



**IMPORTANT: RETAIN FOR FUTURE REFERENCE:
READ CAREFULLY**

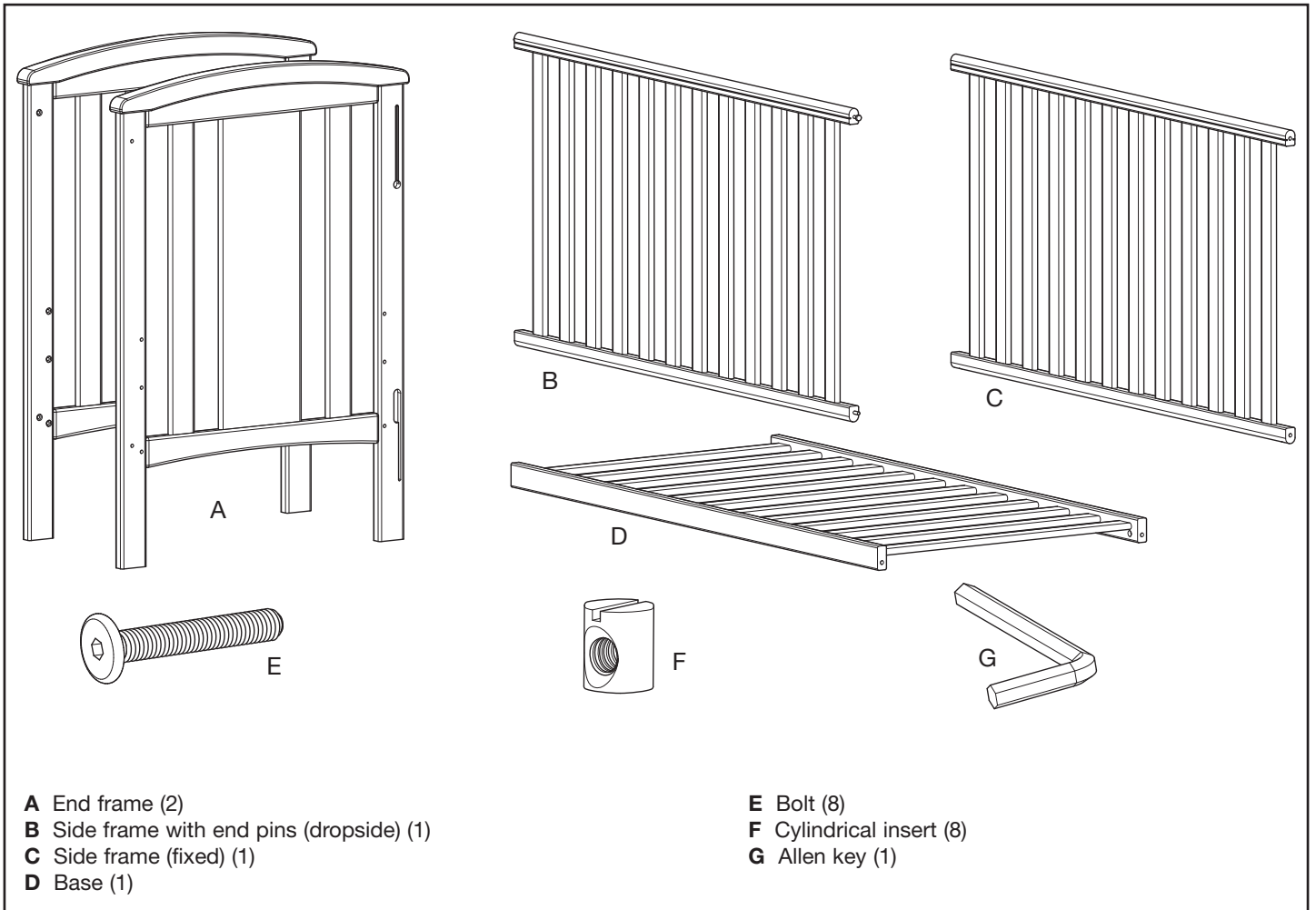
**e a s t
c o a s t**

NOTE:

This cot should be assembled by an adult. Please note that this is a heavy cot which will be more easily assembled with the help of an assistant

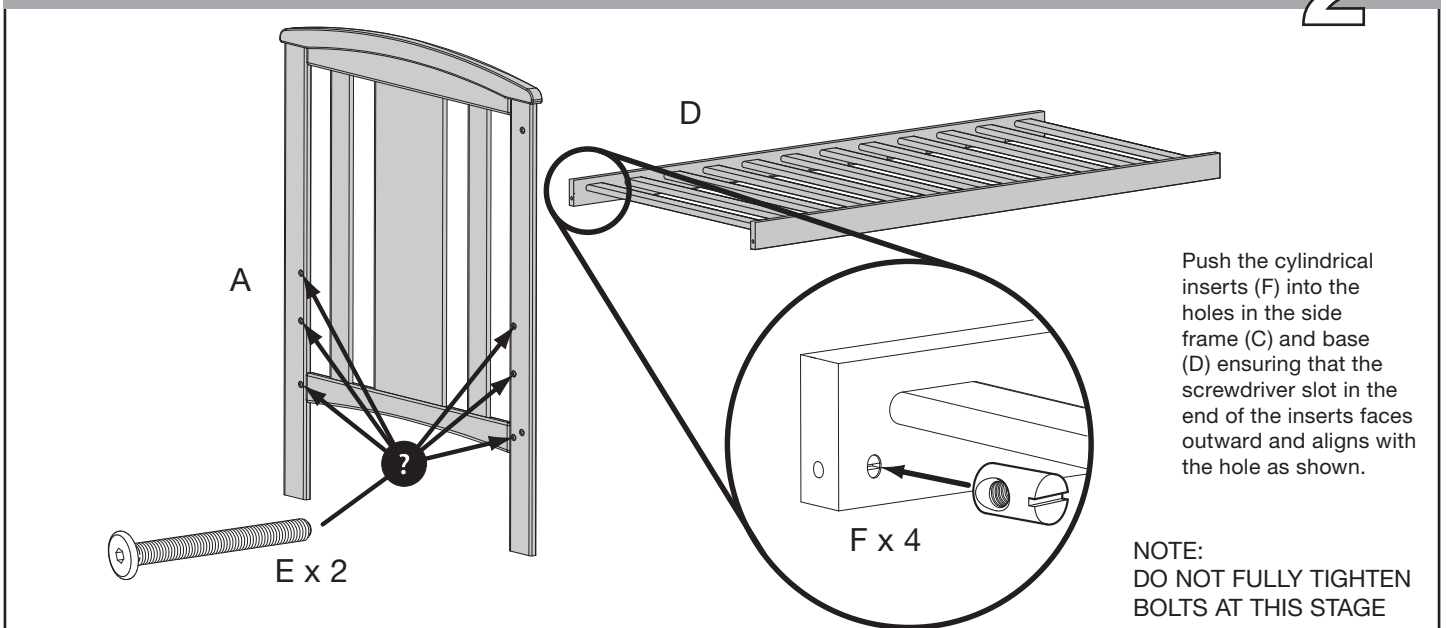
LIST OF PARTS

1



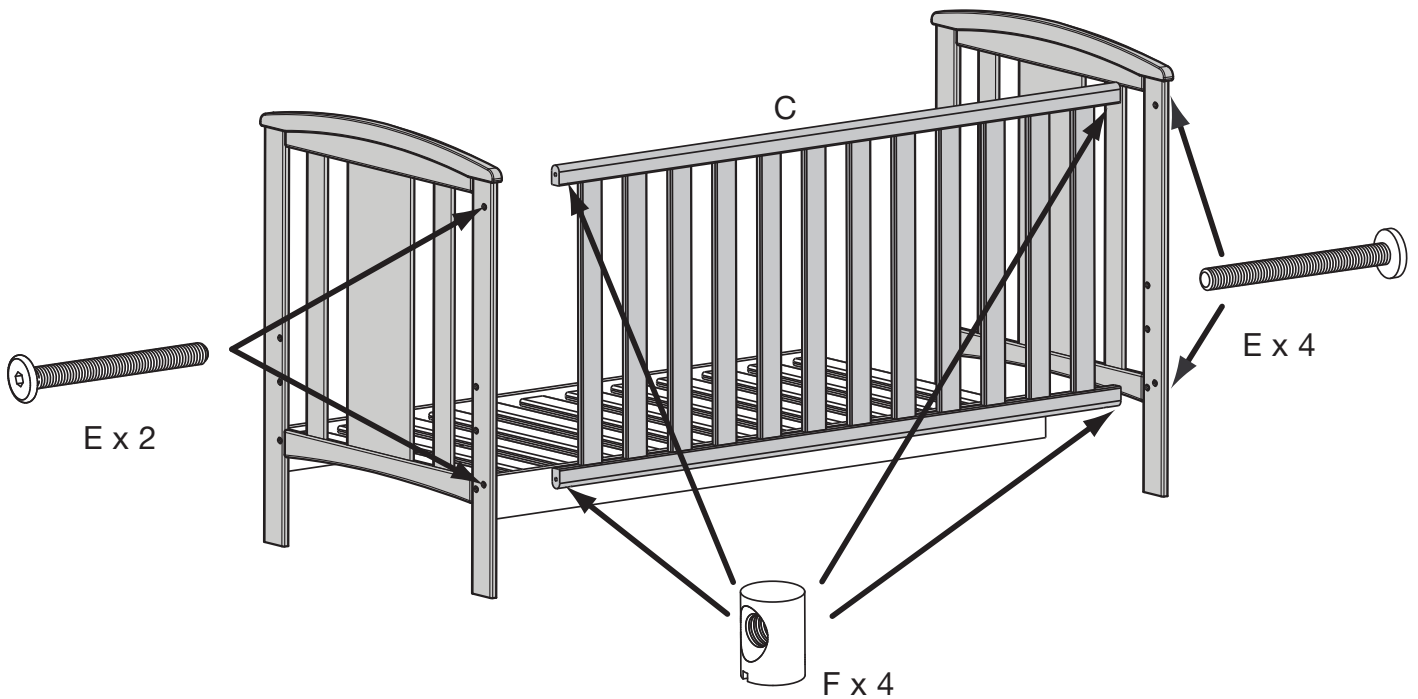
TO ASSEMBLE THE BASE

2



TO ASSEMBLE THE SIDE FRAME

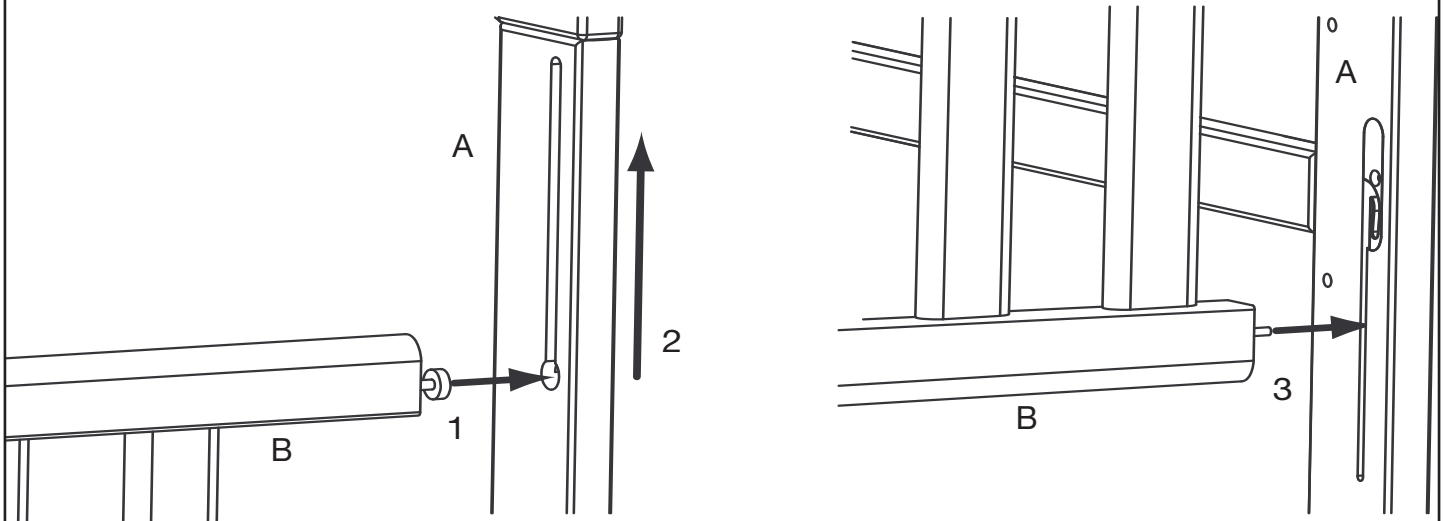
3



NOTE:
DO NOT FULLY TIGHTEN
BOLTS AT THIS STAGE

TO FIT AND OPERATE THE DROPSIDE

4



FULLY TIGHTEN ALL BOLTS.
Your cot is now ready for use.

To operate the Dropside;
Grasp the top rail in the centre and lift slightly.
Press the bottom of the dropside in with your leg - this will disengage the locks and allow the side to drop. To raise the side, simply lift until it clicks into place.
IMPORTANT: Always grasp the top rail in the centre to ensure that both locks engage and disengage.

The bed base can be adjusted in height, but the lowest position is the safest and should always be used in that position as soon as the baby is old enough to sit up.

The cot is suitable for a mattress of 1200mm in length and 600mm in width and a maximum thickness of 100mm. The length and width shall be no less to ensure the gap between the mattress and the sides and ends does not exceed 30mm.

The thickness of the mattress shall be such that the internal height (surface of the mattress to the upper edge of the cot frame) is at least 500mm in the lowest position of the cot base and at least 200mm in the highest position of the cot base.

If you leave the child unattended in the cot, always make sure that the dropside is in the raised position.

To prevent injury from falls the cot should no longer be used for the child once they are able to climb out of the cot.

A light application of a wax polish to the dropside grooves in the end panels will aid operation.

All assembly fittings should be tightened properly and should be checked regularly and re-tightened as necessary.

To clean use a damp cloth, avoiding the use of strong detergents or abrasives.

An occasional light application of a wax polish will help maintain a good appearance.

WARNING

YOUR CHILDREN'S SAFETY IS YOUR RESPONSIBILITY

This cot has been designed and manufactured to BS EN 716-1: 2008

Warning: Do not use the cot if any part is broken, torn or missing and use only spare parts approved by the manufacturer.

Warning: Do not leave anything in the cot or place the cot close to another product, which could provide a foothold or present a danger of suffocation or strangulation, e.g. strings, blind/curtain cords, etc.

Warning: Do not use more than one mattress in the cot.

Warning: Be aware of the risk of open fires and other sources of strong heat, such as electric bar fires, gas fires, etc. near the vicinity of the cot.

In the case of assembly difficulties, missing parts or other queries,
please contact the Customer Care Hotline for this product on;
01692 408802

e a s t c o a s t