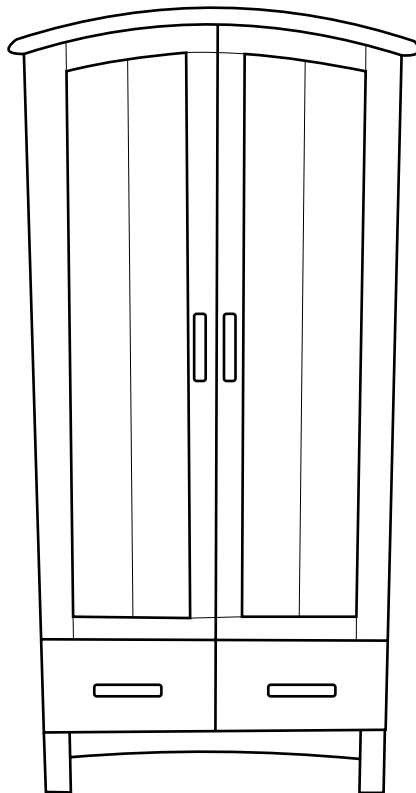


Hogarth Wardrobe

Instructions



1 Welcome

Thank you for choosing a Toys "R" Us product.

To ensure safe, trouble free use, please take a little time to read the important safety notes below and the following instructions.

2 Safety notes

- **WARNING!** Your child's safety is your responsibility.
- The wardrobe must be used on a level and stable surface.
- To ensure the wardrobe cannot fall over e.g. as a result of pulling on the open door, the top of the wardrobe should be fastened to the wall behind it using the security strap supplied. It is suggested a number 12 round head screw of at least 5 cm in length be used in conjunction with a wall fixing appropriate to the wall type. If you are uncertain about doing this, consult a builder.
- Discourage your child from climbing on or playing with this wardrobe as it is not a toy.
- Glue is not included but can be used at your discretion on dowelled joints to further strengthen the wardrobe.
- Once assembled, it is inadvisable to disassemble the wardrobe.

3 Parts information

Please retain all packaging until you are certain no parts are missing.

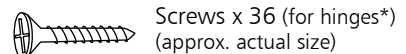
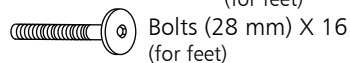
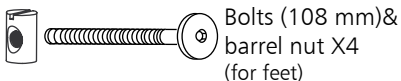
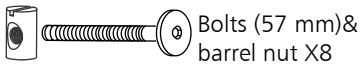
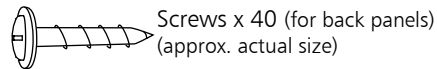
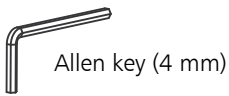
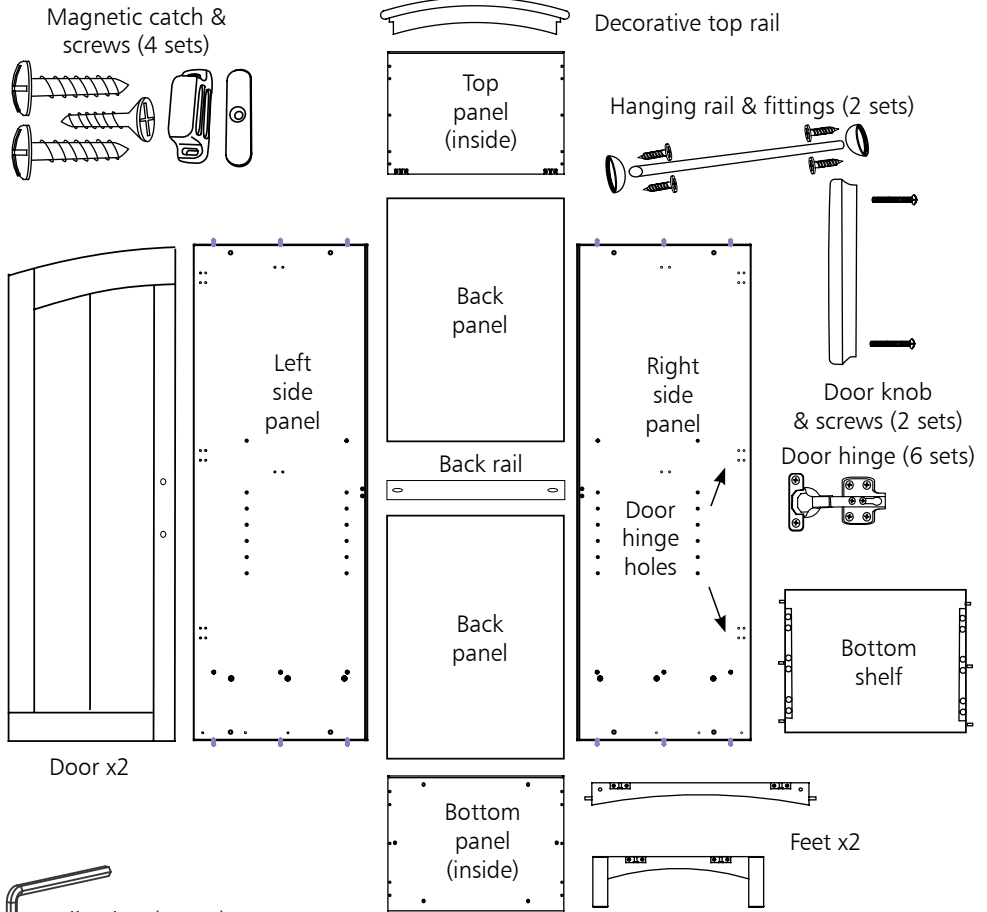
In the case of assembly difficulties, missing parts or other queries, please contact your nearest Toys "R" Us store.

After assembly, please dispose of all packaging carefully.

A medium sized flat bladed and medium sized cross head screwdrivers are required for assembly.

The help of an assistant will make assembly easier.

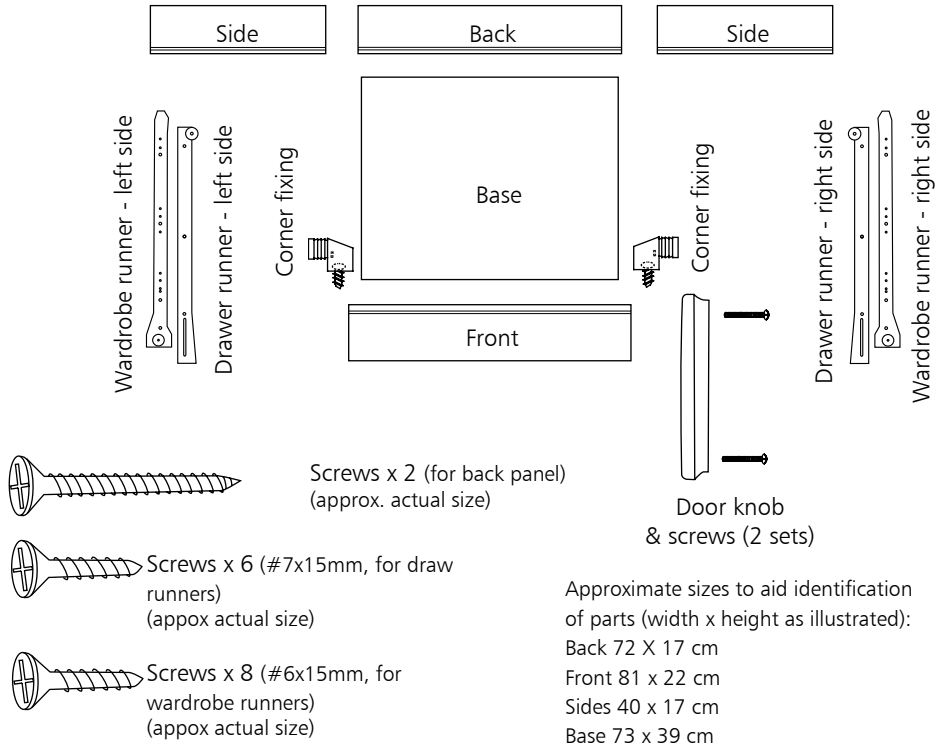
3a Wardrobe parts (not to scale)



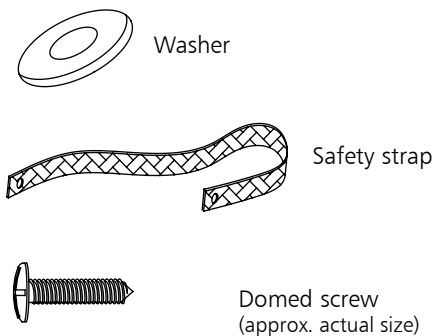
Approximate sizes to aid identification of parts (width x height as illustrated):

- Side panels 52 X 153 cm
- Top & bottom panels 82 x 51 cm
- Back panels 80 x 77 cm
- Top shelf 51 x 78 cm
- Adjustable shelf 40 x 77 cm

3b Drawer parts (not to scale)



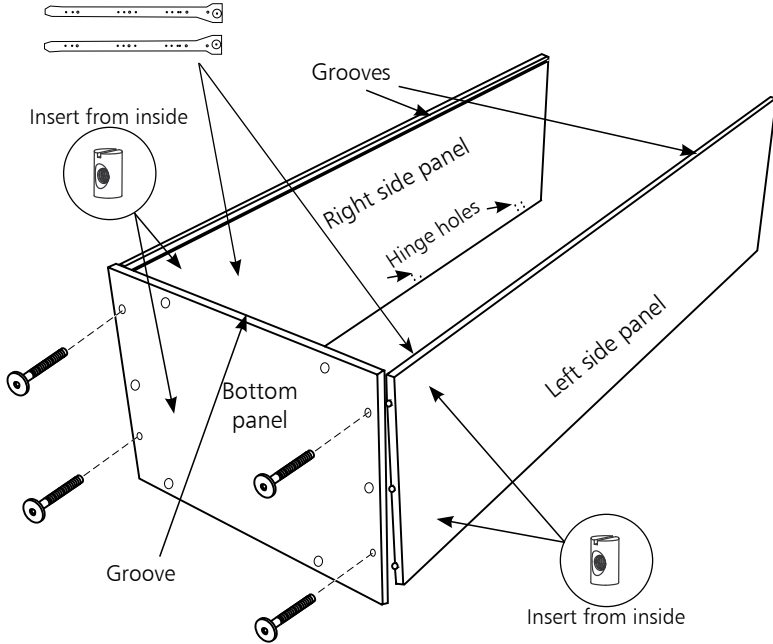
3c Safety strap parts (not to scale)



4 Wardrobe assembly

Step 1

Noting the orientation of the drawer runners as shown in section 3b, fit the right and left wardrobe runners to the insides of the wardrobe, using three screws for each runner. Arrange the side and base panels as shown and attach the sides to the base with four 57 mm bolts, barrel nuts and allen key. Do not tighten the bolts yet.

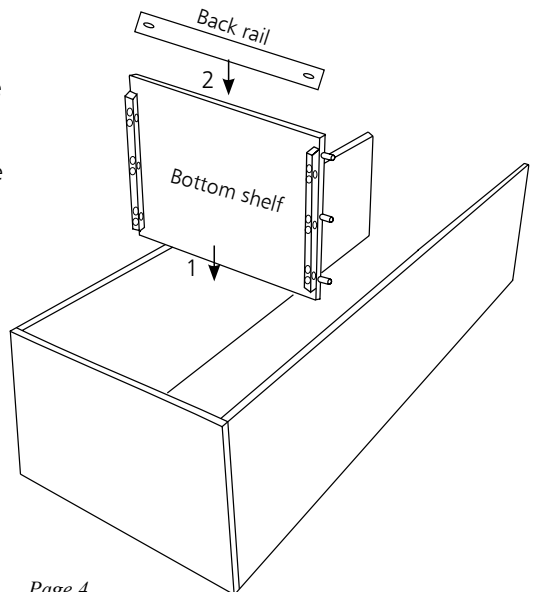


Step 2

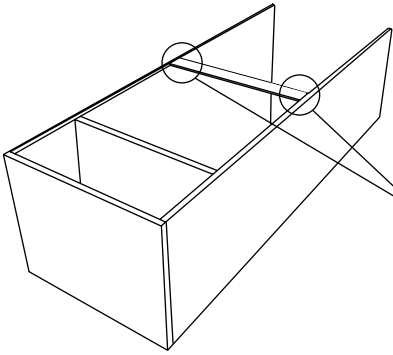
In the following order, fit the bottom shelf, back rail and top shelf between the side panels.

Ensure the dowels on the ends of each part fit securely in to the holes in the side panels and secure with X6 28mm bolts.

Tighten the bolts left loose above, then proceed.

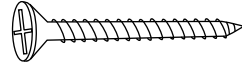
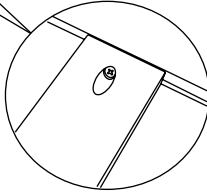


4 Wardrobe assembly (continued)



Step 3

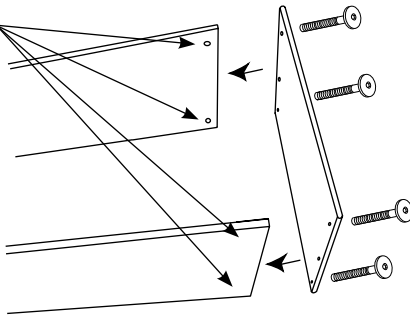
Secure the ends of the back rail to the side panels using two 30 mm screws and a cross head screwdriver.



Screws x 2 (for back rail)
(approx. actual size)

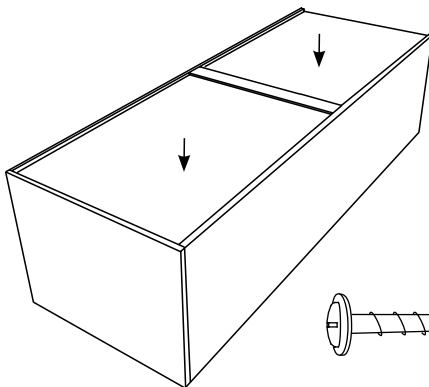


Insert from inside



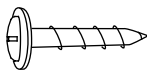
Step 4

Attach the top panel to the sides with the four remaining 57 mm bolts, barrel nuts and allen key.



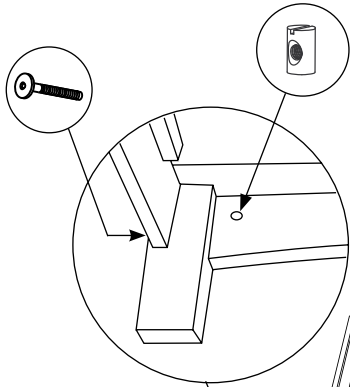
Step 5

Place the back panels in to the grooves in the back of the wardrobe and secure each panel with fourteen screws fitted through the holes at the edges of the back panels.



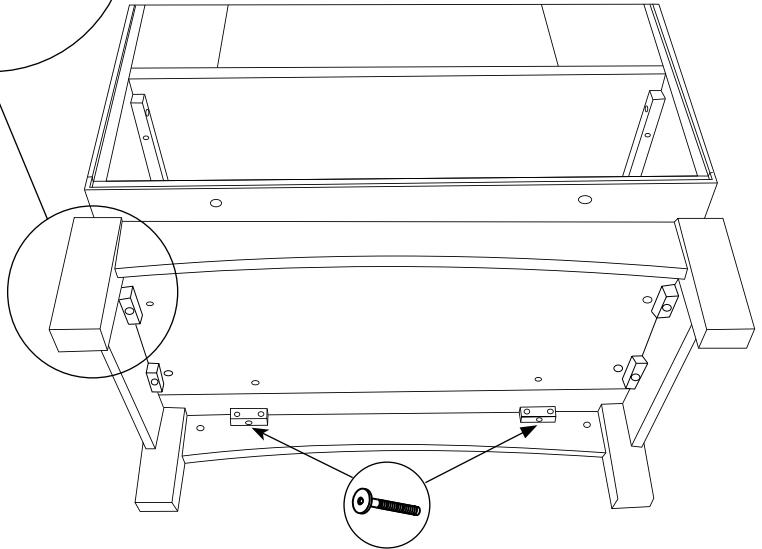
Screws x 40 (for back panels)
(approx. actual size)

4 Wardrobe assembly (continued)



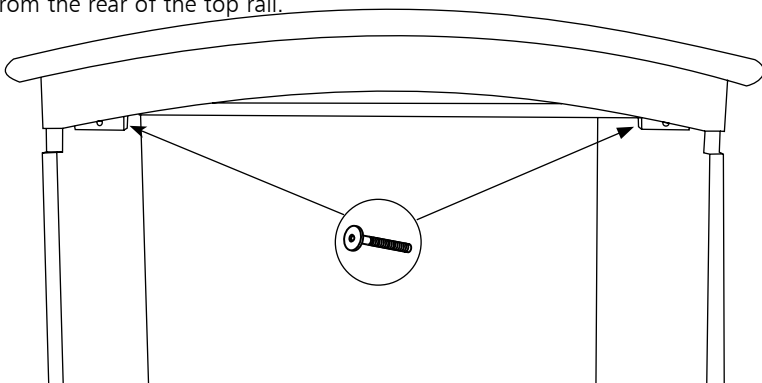
Step 6

Attach the four feet together using the 108 mm bolts, barrel nuts and allen key. Then attach the feet to the bottom panel using the 28mm bolts.

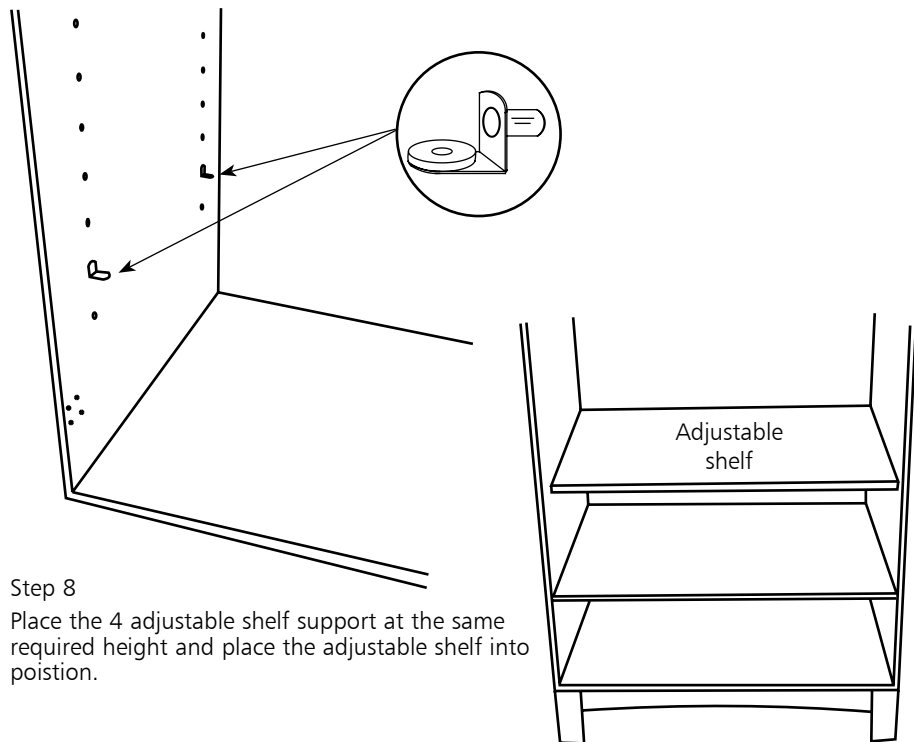


Step 7

Fit the decorative top rail to the front edge of the top panel and secure using two 28mm bolts inserted from the rear of the top rail.

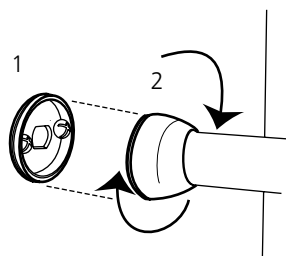


4 Wardrobe assembly (continued)



Step 8

Place the 4 adjustable shelf support at the same required height and place the adjustable shelf into position.

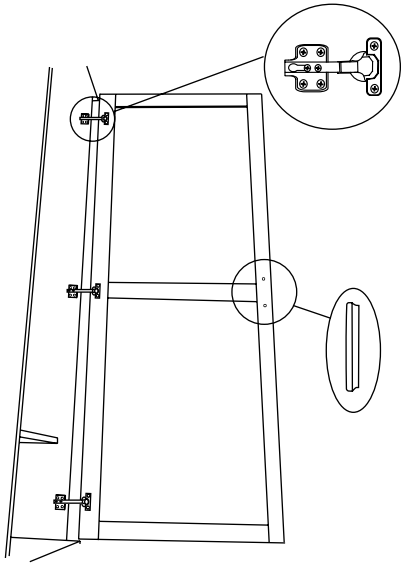


Step 9

1. Place the hanging rail fittings on to the inside of the side panels in two different positions using the screws supplied.

2. Fit the threaded cups over the ends of the hanging rail and screw on to the threaded plates.

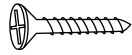
4 Wardrobe assembly (continued)



Step 10

Attach the three hinges to the door using six screws and attach the door with hinges to the wardrobe using a further twelve screws.

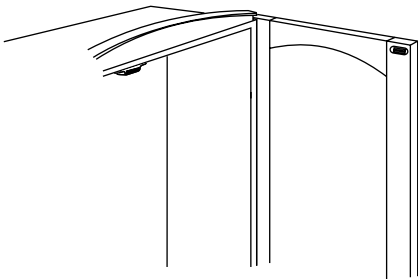
There are pre-drilled holes to indicate the position of the hinge on the door.



Screws x 18 (for hinges)
(approx. actual size)

Step 11

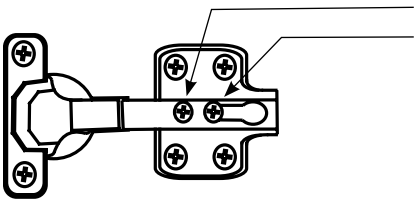
Attach the door knobs by inserting its screws through the door and tightening into the knobs.



Step 12

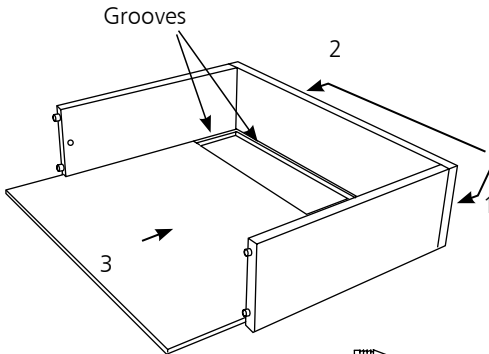
Attach the magnetic door catches to the underside of the top panel using the four round head screws, and the metal plates to the corresponding location on the door using the countersunk screws. Repeat procedure for the magnetic door catches and metal plates on the upperside of the bottom shelf and door.

5 Door hinge adjustment



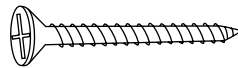
Once the door is fitted, the gaps around the edges may not be even but can be adjusted using the two screws on each hinge as indicated left.

6 Drawer assembly & fitting



Step 1 & 2

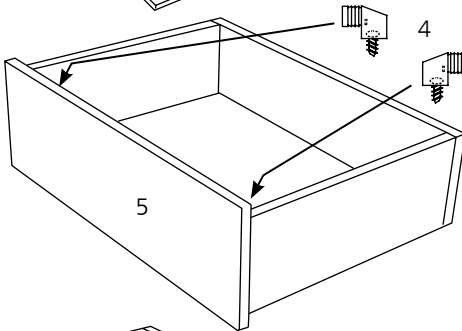
With the grooves in the back and sides aligned, fix the back and sides together using two screws.



Screws x 2 (for back panel)
(approx. actual size)

Step 3

Slide the base panel in to the grooves.

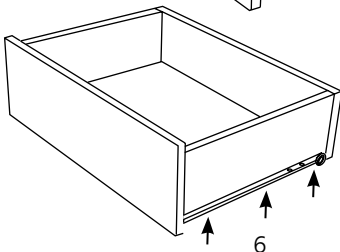


Step 4

Secure the front panel to the sides using the two plastic corner brackets. These fit into holes in the side panels and screw in to the front panel.

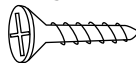
Step 5

Attach the knob by inserting its screw through the front panel and tightening into the knob.

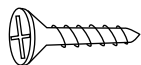


Step 6

Noting the orientation of the drawer runners as shown in section 3b, fit the right and left drawer runners to the sides of the drawer, using three screws for each runner.

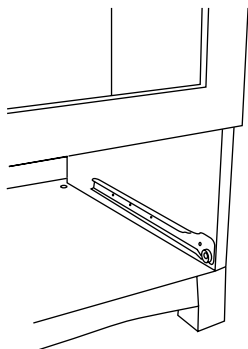


Screws x 6 (#7x15mm, for draw runners)
(approx actual size)



Screws x 8 (#6x15mm, for wardrobe runners)
(approx actual size)

6 Drawer assembly & fitting (continued)



Step 7

Fit the drawer into place by tilting the front upwards, engaging the small wheels in to the tracks, and sliding in to place.

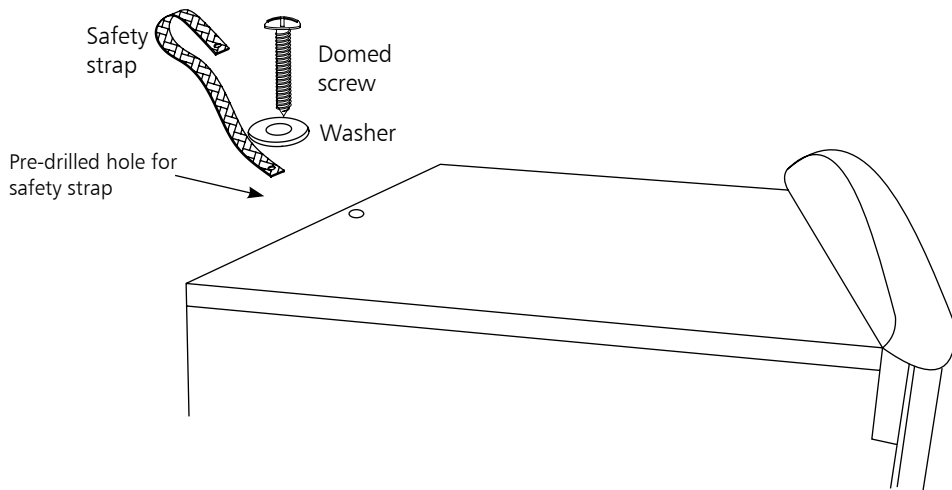
7

IMPORTANT:

Although the wardrobe is stable, tall furniture, particularly in children's rooms, should be secured to a wall to ensure it cannot topple.

A safety strap, washer and domed screw are provided for this purpose.

Fasten one end to the top of the wardrobe as indicated. and attach the other end to a sound wall using wall fixings and screws (not supplied) appropriate to the wall type. If in doubt about how to do this, consult a builder.



8 Care of your product

Regularly check the tightness of bolts and tighten as necessary.

Check for damage which could render your wardrobe unsafe or cause splinters.

To clean use a damp cloth, avoiding the use of strong detergents or abrasives.

An occasional light application of a wax polish will help maintain a good appearance.