

Safety Notes

Your Halo Pushchair is a high quality Silver Cross product. It complies with BS 7409:1996 and with correct use and maintenance should give good service. If, however, you should have any problems with your pushchair, please contact your Silver Cross retailer who will take appropriate action.

- Do not leave your child unattended in this pushchair
- Do not carry more than one child in this pushchair
- Do not stand a second child on rear lock or a buggy board
- Do not allow your child to climb in or out of the pushchair of their own accord, as this could result in injury to your child or damage to your pushchair
- This pushchair is a travel system and is only compatible with the Silver Cross Ventura Car Seat (SX405) which is sold separately

The child should always wear a safety harness complying with BS6684. “D” rings are provided for the attachment of an additional harness. These are located on the existing harness close to where it is attached to the seat frame. Do not hang shopping bags or other objects from the handles. This may cause the pushchair to tip up. Extra shopping or luggage should only be carried in the basket and should not exceed 5kg in weight, evenly distributed. Always hold the seat when making adjustments. Be sure that the parking device is on. Never try to fold the pushchair when the child is seated as this may trap the child. Always use the brake pedal to apply the brake. If you have any difficulty in folding or unfolding the pushchair do not force it, this will cause damage. Read the “To fold or unfold” instructions carefully. It may be unsafe to fit accessories or spare parts other than those supplied or recommended by Silver Cross. If anyone other than the owner is going to use the pushchair (e.g. grandparent, child minder), please show them how to use it correctly.

Caution: The child should be clear of moving parts while making adjustments.

Never leave your child in the pushchair with the raincover fully fitted other than in normal outside use.

WARNING: Any load attached to the handle affects the stability of the pram/pushchair.

- Ensure all locking devices are engaged before use
- This product is not suitable for running or skating
- Accessories that are not approved by Silver Cross should not be used
- A child’s safety is your responsibility

Care and Maintenance

Always check your pushchair for signs of wear. Lubricate moving parts regularly, especially the wheels, axles, suspension springs and lower parts of the chassis that tend to collect dirt. Check for freedom of movement of all locking devices. Polish metalwork with a clean, dry cloth. Fabric items and seat unit; to clean, sponge area with warm, soapy water. Rinse well with clean water to avoid staining. Allow to dry naturally, away from direct heat and strong sunlight. A certain degree of fading may occur over time through everyday use. Never machine wash, tumble dry, iron or bleach.

Guarantee

All Silver Cross products are guaranteed for a period of 12 months against faulty workmanship, when the product is used correctly according to the instruction manual.

Please read these instructions carefully before using your new Halo Pushchair and keep for future reference.

www.silvercross.co.uk



**IMPORTANT, RETAIN FOR FUTURE REFERENCE:
READ CAREFULLY**

These instructions are important.

Read these instructions carefully before use and keep them for future reference. Your child's safety may be affected if you do not follow these instructions. Your Halo Pushchair is a high quality Silver Cross product. It meets current safety standards and care and regular light maintenance will ensure long service.

This vehicle is intended for children from birth to 15kg. If somebody unfamiliar is using your Halo Pushchair always ensure that they read these instructions carefully so that they understand how the product works best.

Always read all the instructions provided carefully and remember, the safety of your child is your responsibility.

WARNING: It may be dangerous to leave your child unattended.

Contents

Your Halo Pushchair includes the following components, please check that you have all the items before proceeding:

- 1.1 Halo Pushchair chassis, seat fabrics and cargo net
- 1.2 Halo Pushchair hood
- 1.3 Halo Pushchair raincover
- 1.4 Halo Pushchair front wheel assembly x2
- 1.5 Halo Pushchair seat liner
- 1.6 Halo Pushchair apron

Assembling the Halo Pushchair

- 2.1 Attach the swivel wheels by locating the wheel under the steel attachment pin. Slide the wheel upwards and press until the wheel clicks into position.
WARNING: Check the wheel is secure by pulling gently downwards.
Repeat on both sides. Your Halo Pushchair is now ready to be unfolded.
- 2.2 Locate the fold lock on the right hand side of the pushchair and pull the lock forwards and upwards to release from the connection molding.
- 2.3 The pushchair can now be opened by lifting the handle upwards and unfolding the pushchair fully until the central hinge engages and clicks into place.
WARNING: Failure to do this will cause damage to your pushchair.
Place the pushchair on a flat surface and ensure that the pushchair moves freely.
- 2.4 To fit your Halo Pushchair hood locate the locking catches on the hood frame. Now, locate the button holes in the fabric which are in line with the hood attachment points. Simply feed the locking catches through the buttonholes and ensure firm location and attachment. Repeat on opposite side of the hood frame.
- 2.5 Fold the Velcro flaps down on the back of the hood, connect the magnets on the side of the hood to those on the main fabrics to fully secure the hood into position.
- 2.6 Your Halo Pushchair hood can be opened and folded away by lowering or raising the hood tensioner indicated in illustration.
NOTE: Please note when folding your Halo Pushchair you should always ensure the hood is folded away. Failure to do this could result in damage to your Halo Pushchair.
- 2.7 Your Halo Pushchair is now ready for use.

Reclining the Halo Pushchair

- 3.1 Your Halo Pushchair has a multi position recline.
- 3.2 First, locate the backrest adjustment mechanism at the rear of the seat. Pull the recline paddle and gently lower to the desired angle.
- 3.3 To raise the backrest locate the recline strap and pull gently. The backrest will rise to the desired height.

NOTE: It is recommended that the backrest is in the upright position before folding the pushchair.

Using the leg support

- 4.1 Your Halo Pushchair has an extendable leg support to extend the length of the seat. This can be operated by pulling out the bar until it clicks into place, to store push gently on the leg support until it clicks into place.

Using the harness

- 5.1 **WARNING: Always use the crotch strap in combination with the waist belt and shoulder straps.**
To fasten the harness insert both buckle clips into each side of the buckle. Listen for the 'click'.
- 5.2 **WARNING: Always use the harness provided.**
To release the harness press the centre and pull apart. The shoulder straps can be unhooked from the buckle if required.
- 5.3 Your harness is fully adjustable by moving the slides (A), to make fitting easy. 'D' rings are provided for fitting a separate harness if required (B), complying with BS 6684. Your child should always be harnessed in and should never be left unattended, even for short periods of time.

Using the brakes

- 6.1 Your Halo Pushchair has a parking device / brake. To apply the brake simply press downwards on the right brake peddle located on the rear right wheel. The brake will automatically lock on both wheels simultaneously.
- 6.2 To release the parking device / brake simply push downwards at the top of the brake peddle, both brakes will release simultaneously.
- 6.3 Your Halo Pushchair has front swivel wheels. To Lock your swivel wheels locate the catch between the front wheels. Pull upwards in any position. The wheels will automatically lock when the wheels are rotated. Repeat on both front wheels.
To use the wheels in swivel mode push down on the locking catch and the wheels will swivel freely. Repeat on both wheels.

Folding the Halo Pushchair

NOTE: The backrest should always be in the upright position and the hood folded away prior to folding.

- 7.1 To commence folding, locate the primary and secondary release triggers on both sides of the Halo Pushchair.
Push the primary button inwards while simultaneously pulling both secondary triggers upwards.
- 7.2 Gently lift and push the handles over and the pushchair will naturally close in three dimensions to a compact size.
- 7.3 Engage the fold lock located on the right of the pushchair.
- 7.4 Your Halo Pushchair comes with a carry handle, locate this under the seat.

WARNING: This handle is the only position from which you should lift your pushchair to avoid possible damage

Attaching the seatliner and apron

- 8.1 Your Halo Pushchair comes with a reversible seatliner. To attach the liner place on the main seat and pass the harness through the button holes on the seat liner.
- 8.2 Your Halo Pushchair comes with an apron to keep warm. To attach the liner locate the clips on the side of the apron, unzip the apron and slide under the seat pad, attach both clips over the pin located on the inside of the pushchair fabric. Place your child in the stroller, fasten the harness and zip up the apron.

Attaching the raincover

The raincover simply drapes over your pushchair with the hood extended. Fasten the velcro straps around the front.

Using the Halo Pushchair as a travel system

Your Halo Pushchair is also a travel system, It is compatible with the Silver Cross Ventura Car seat (sold separately).

- 9.1 Fully Engage the brakes on your Halo Pushchair.
- 9.2 Recline your Halo Pushchair Seat Back into full Recline, so it is in a lie flat position.
- 9.3 Unbuckle the harness on your Halo Pushchair, releasing the central buckle. Lift the main seat pad up and feed the buckle through the buttonhole.
- 9.4 Push the seat pad back towards the handles of your Halo Pushchair so it lies flat on the seat back.
- 9.5 Feed the buckle into the pocket located behind the foot rest.
- 9.6 Locate the car seat attachment bars on the seat base of your Halo Pushchair and lift upwards until they click into place. Ensure both front and back attachment bars are securely locked in place.
- 9.7 On your Ventura car seat, locate the four car seat attachment points.
- 9.8 With the handle of your Ventura car seat in the upright position and the Ventura facing the handle of your Halo Pushchair, align the Ventura attachment points with the attachment bars on your Halo Pushchair. Gently lower the Ventura car seat until all four attachment points engage. Gently push down on the Ventura car seat to ensure all four points are fully engaged.

NOTE: Check your Ventura car seat is securely attached to your Halo Pushchair, before releasing the Halo Pushchair brake.

Your Ventura is now ready for use on your Halo Pushchair.

Removing the Ventura car seat

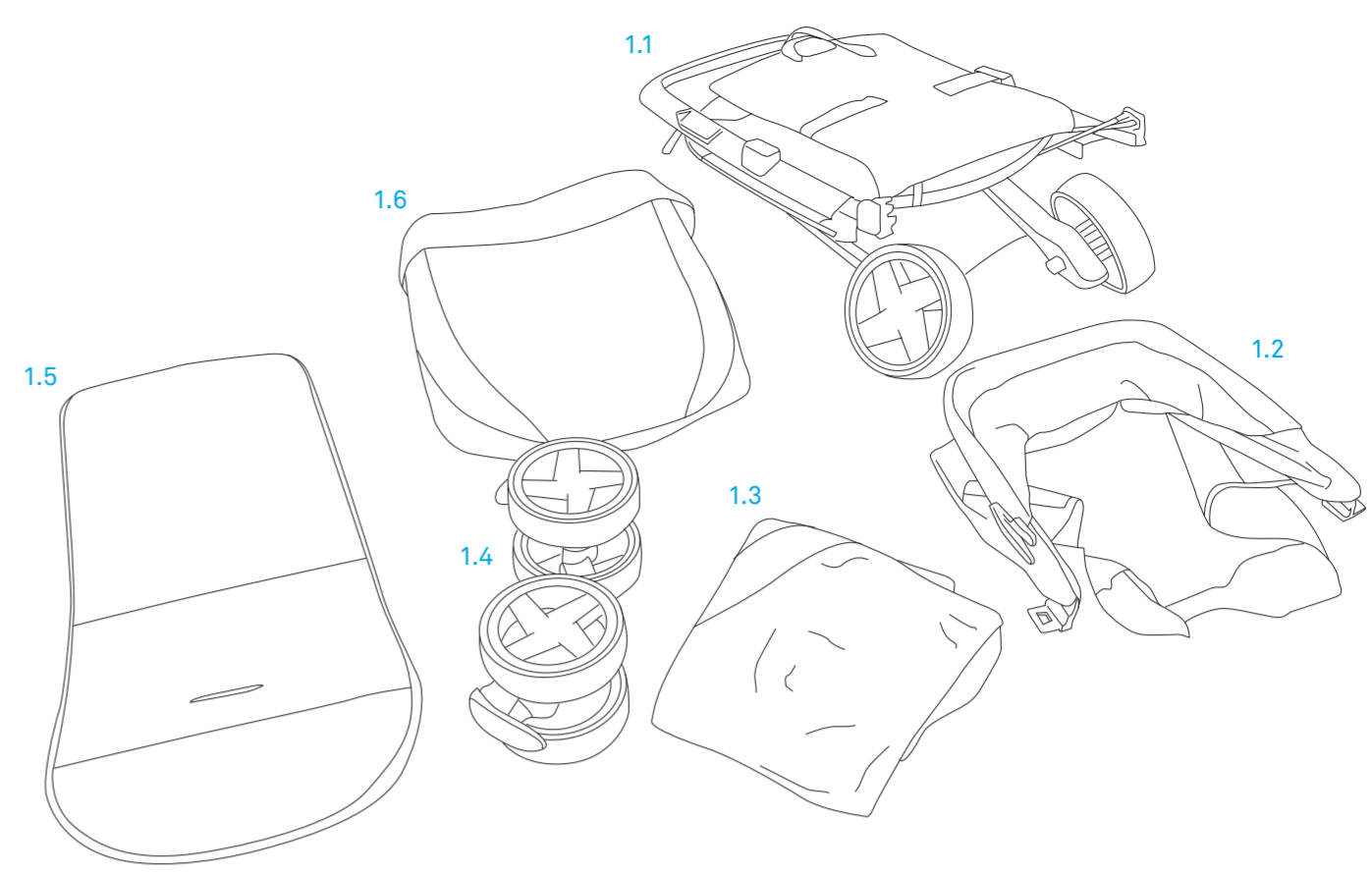
NOTE: Fully engage the brakes on your Halo Pushchair

- 10.1 To release the Ventura car seat from your Halo Pushchair, ensure the handle of your Ventura car seat is in the upright position. Whilst holding the handle of your Ventura Car seat lift upwards on the release lock at the back of the Ventura Car seat. This will release the attachment points from the Halo Pushchair.
You can now lift the Ventura Car seat completely off your Halo Pushchair.

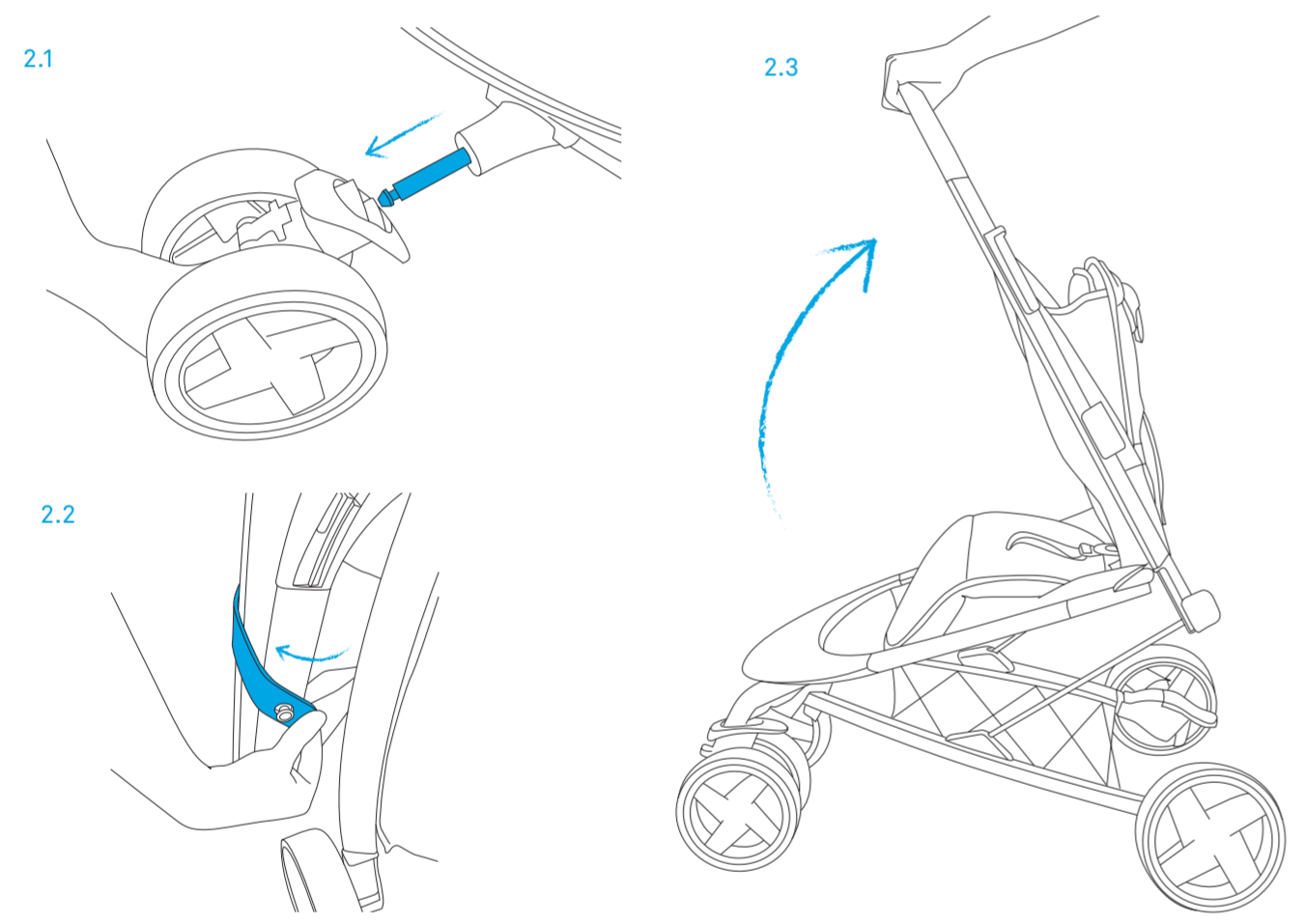
Converting the Halo Pushchair back to pushchair mode

NOTE: do not force down the Car seat attachment bars, you must use the release locks to disengage the bar

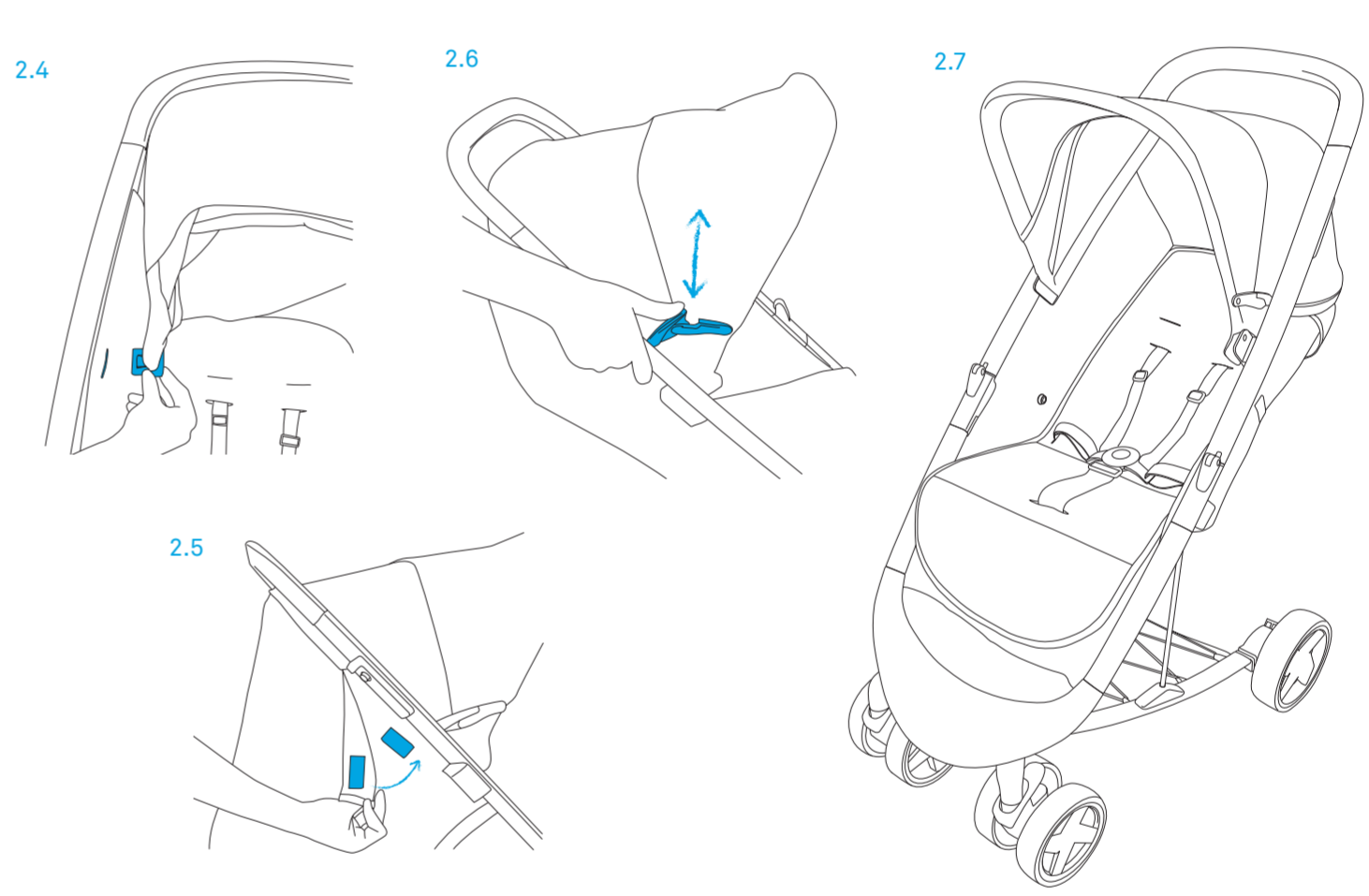
- 11.1 To release the front car seat attachment bar, Slide the left red release lock (A) back towards the back rest of your Halo Pushchair. This will release the front car seat attachment bar, press lightly on the attachment bar to fold down into the seat base. To release the back car seat attachment bar, Slide the right red release lock (B) forwards towards the front of your Halo Pushchair. This will release the back car seat attachment bar, pull lightly on the attachment bar to fold down into the seat base.
- 11.2 Remove the harness buckle from the pocket behind the pvc footrest.
- 11.3 Feed the buckle through the button hole on the seat pad.
- 11.4 Return the seat pad to the seated position on the seat base, press down firmly to secure the Velcro strip.



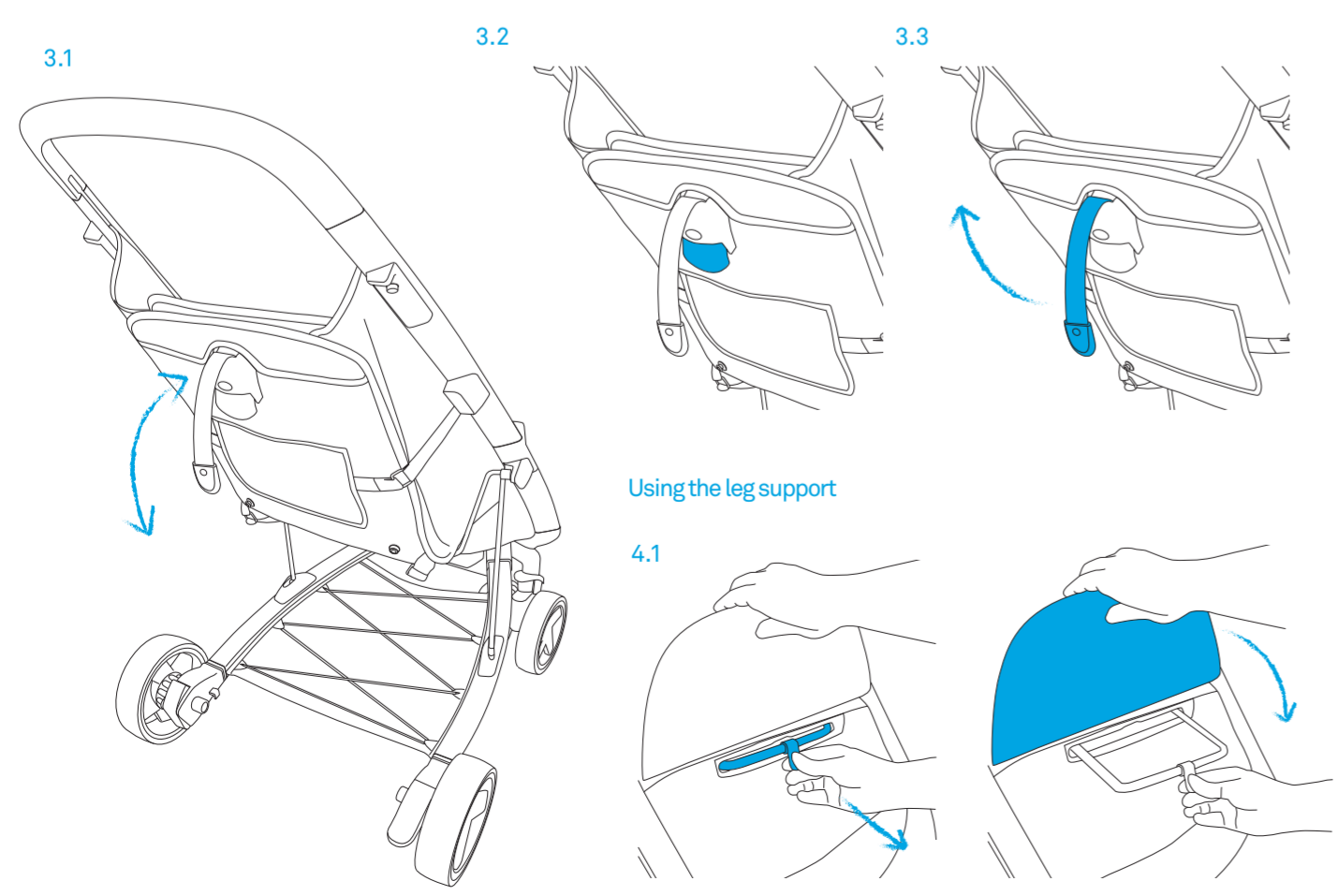
Assembling the Halo



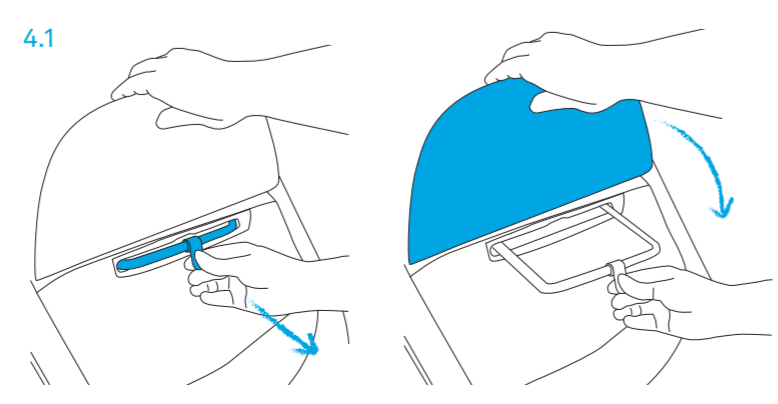
Assembling the Halo (cont.)



Reclining the Halo



Using the leg support



Using the harness

