

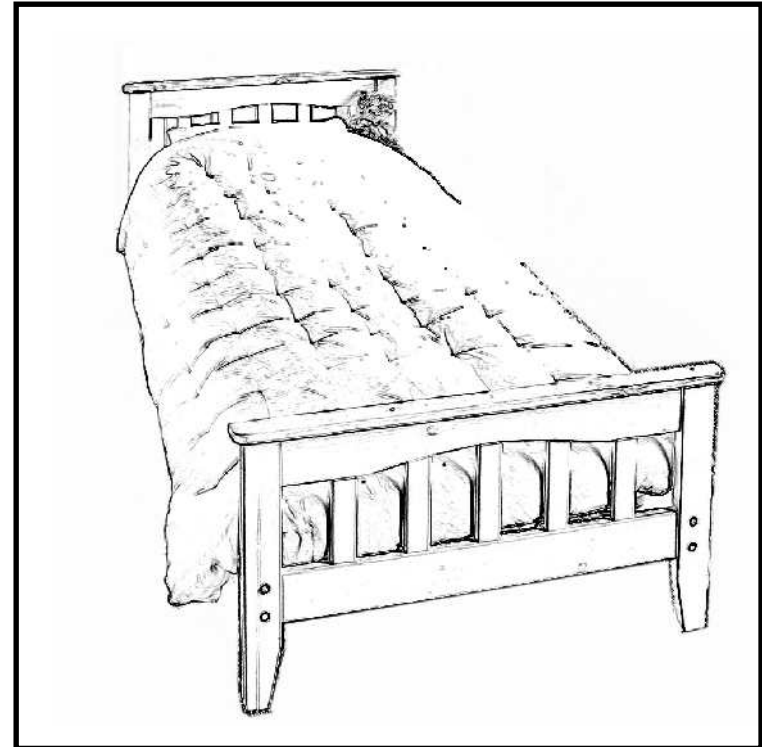
***Your Child's Safety
Is Your Responsibility***

If you have a problem with this product or require replacement parts,
please contact your nearest Mothercare store or telephone the
Mothercare Customer Care Line on
01923 210 210

Alternatively write to:

**Mothercare Customer Care
Cherry Tree Road
Watford
Herts. WD24 6SH**

Made in Slovenia

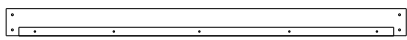
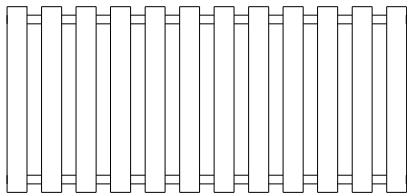
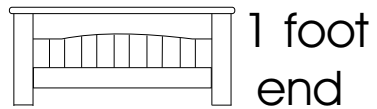
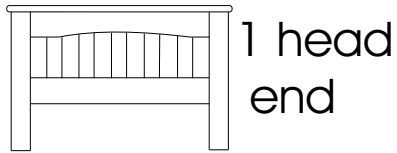


Beech Single Bed

User Guide

**IMPORTANT. RETAIN FOR
FUTURE REFERENCE -
READ CAREFULLY**

1. Checklist



2 Mattress Rails



8 Long Bolts

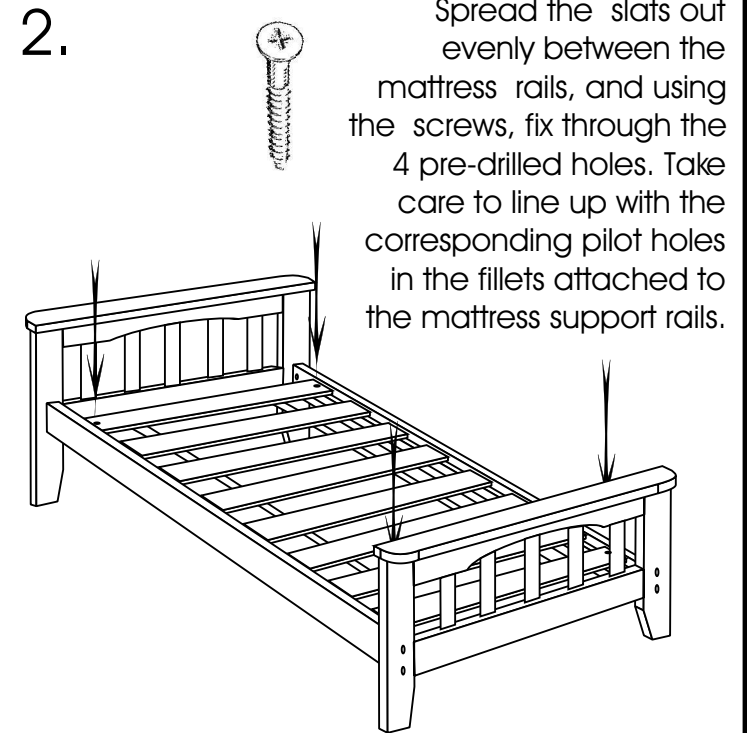
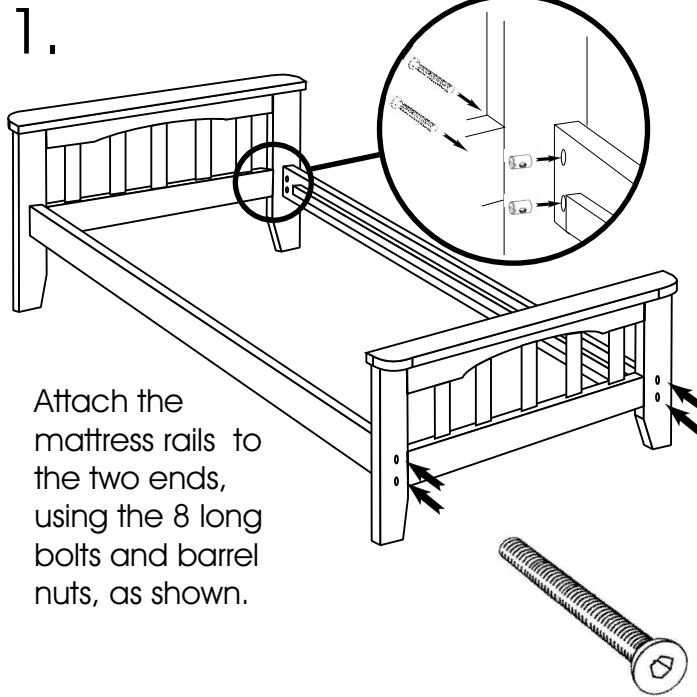


4 screws



8 Barrel Nuts

2. Putting the Bed Together



3. Care and Safety

- Periodically check all fittings to ensure that none have come loose.
- The bed must be set up on an even and stable surface.
- Clean your bed by wiping with a damp cloth & drying with a soft cloth.
- Never clean with abrasives, chemical cleaners or household polishes.
- Keep away from direct sources of heat, such as electric, gas or coal fires.
- Take care when handling or moving the bed. Careless handling can damage wooden furniture.
- Bouncing on, or using this bed other than for its intended purpose, could cause damage to the structure or serious injury to your child.

MATTRESS SIZE: The recommended mattress to be used with this bed should measure 190cm x 74cm (6'3" x 2'6")