

## **Your Child's Safety Is Your Responsibility**

If you have a problem with this product or  
require replacement parts, please contact  
your nearest Mothercare store or telephone  
the Mothercare Customer Care Line on  
01923 210 210

Alternatively write to:

**Customer Care  
Mothercare  
Cherry Tree Road  
Watford  
Herts. WD24 6SH**

Made in Slovenia

# mothercare

*at home*



## **Bedside Cot**

User Guide

**IMPORTANT. RETAIN FOR  
FUTURE REFERENCE -  
READ CAREFULLY**

**1**

## Important Notes

This cot conforms to BS EN 716: 1996 Safety Standard for Cots.

Please take a few minutes to read this User Guide.

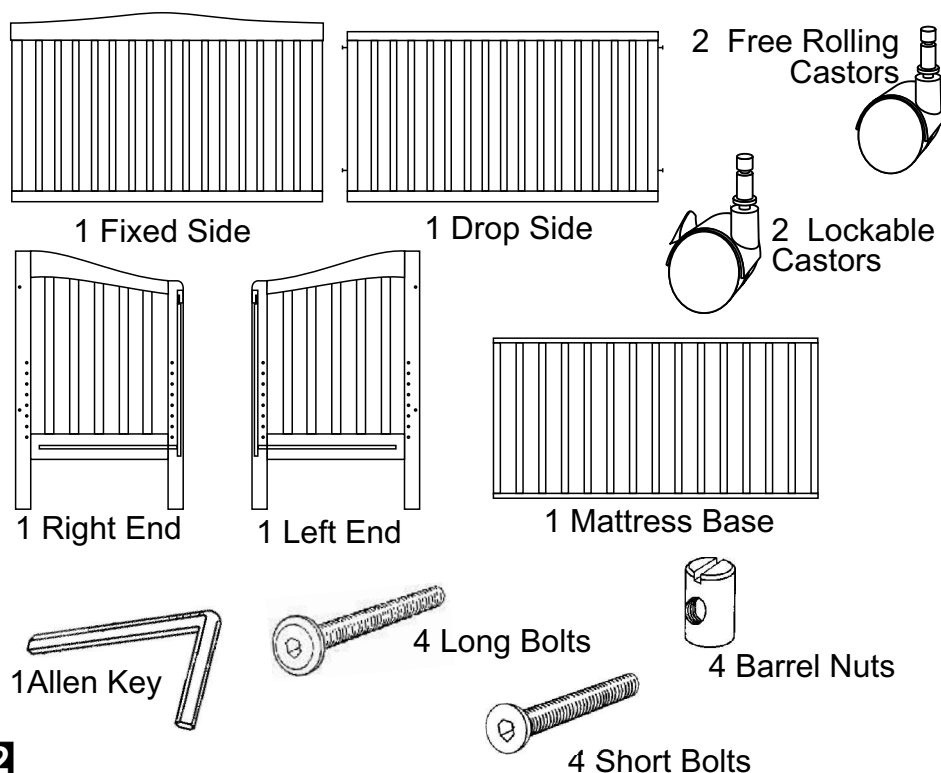
Unpack your cot carefully onto a soft level surface, such as a carpeted floor.

Familiarise yourself with the parts by comparing them with the PARTS CHECK LIST below. Do not discard any packaging until you are sure you have all the parts.

It is recommended that you use a Mothercare 'CONTINENTAL' sized mattress (120cm x 60cm) with this cot..

**2**

## Parts Check List

**2****5**

## Care of your Product

Periodically check all fittings to ensure that none have come loose.

Your cot can be cleaned by wiping with a damp cloth and drying with a soft dry cloth.

Never clean with abrasive, ammonia based, bleach based, or spirit type cleaners.

Take care when handling or moving the cot. Careless handling can damage wooden furniture.

**6**

## Safety Notes

The lowest base position is the safest and should always be used as soon as baby is old enough to sit up.

If you leave the child unattended, always make sure the dropside is in its highest position. Never leave the child unattended when the cot is in bedside mode.

Always lock the castors (levers in down position) when there is a child in the cot.

Never leave anything inside the cot that could provide a foothold or present a risk of suffocation or strangulation.

The thickness of the mattress chosen must not reduce the internal depth (from mattress surface to top of the side) to less than 500mm with the base in the lowest position, or 200 mm with the base in the highest position. The leg of the cot has a mark indicating this height.

All assembly fittings should always be tightened properly. Care should be taken that no screws are loose, because the child could trap parts of the body or clothing which would pose a risk of strangulation.

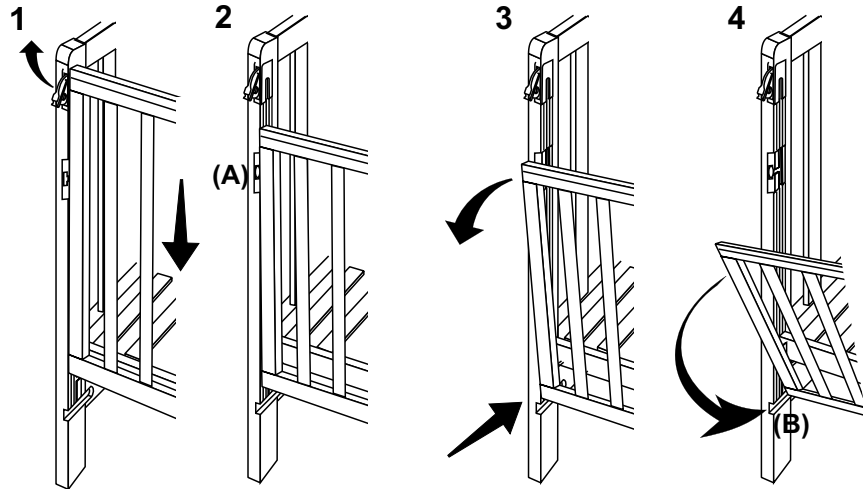
The mattress to be used with this cot should be no more than 40mm shorter or narrower than the internal length or width of the cot.

Strong heat sources, e.g. open, electric or gas fires in the vicinity of the cot may be dangerous if placed near the cot.

Do not sit in the cot. This will break the mattress base.

**7**

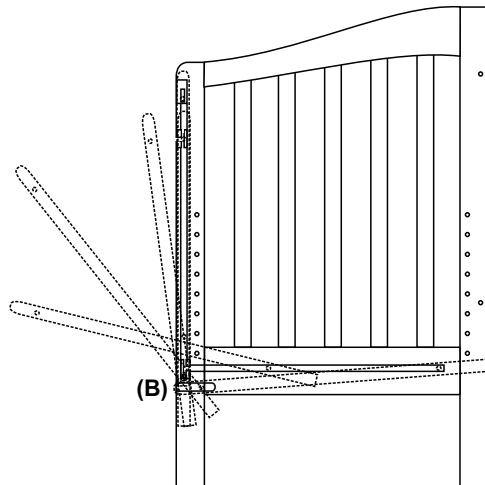
Storing the drop side below the cot



1,2) Lock the castors and Lower the drop side until upper pins align with opening (A).

3) Release pins from openings and swing outwards. Lift side to allow lower pins to slide into and along horizontal runners.

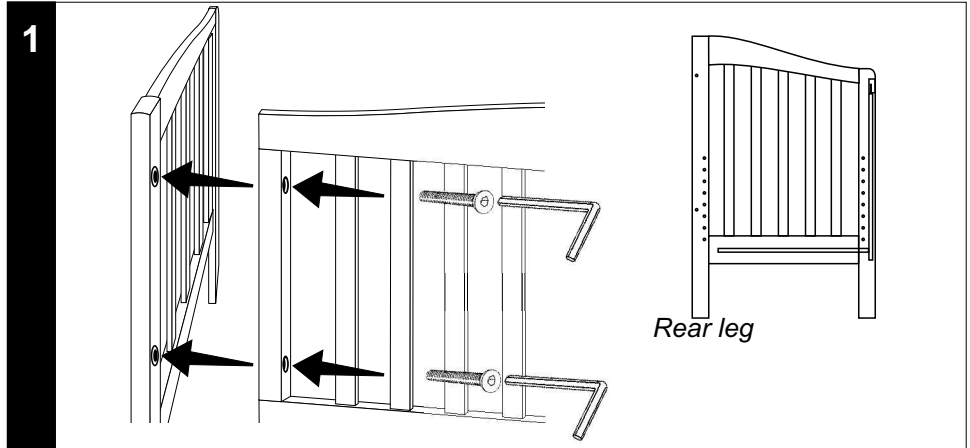
4) Push side under base, locating upper pins in grooves (B) cut into legs. (see also below)



**IMPORTANT**

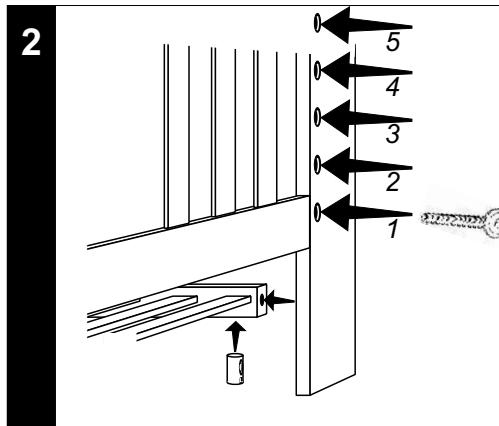
MAKE SURE CASTORS ARE LOCKED. DO NOT MOVE THE COT WHILE THE SIDE IS STORED IN BEDSIDE MODE

Attach the fixed side to the ends



Using four short bolts, attach the fixed side to the rear leg of both ends.

Attach the mattress base



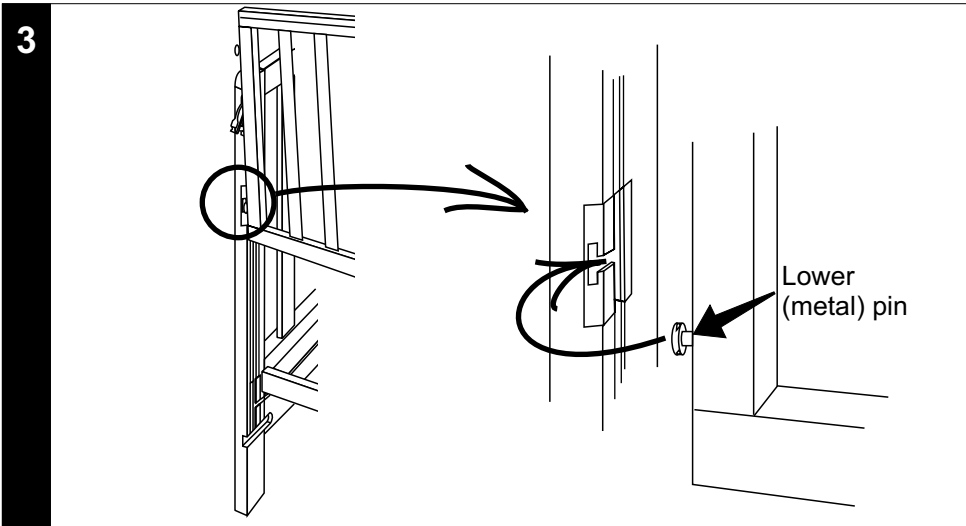
Hole positions (starting at lowest)	Measured from ground to top of 10cm mattress
Hole 1	400mm
Hole 2	432mm
Hole 3	464mm
Hole 4	496mm
Hole 5	528mm
Hole 6	560mm
Hole 7	592mm
Hole 8	624mm

Table of mattress heights at the different hole positions.

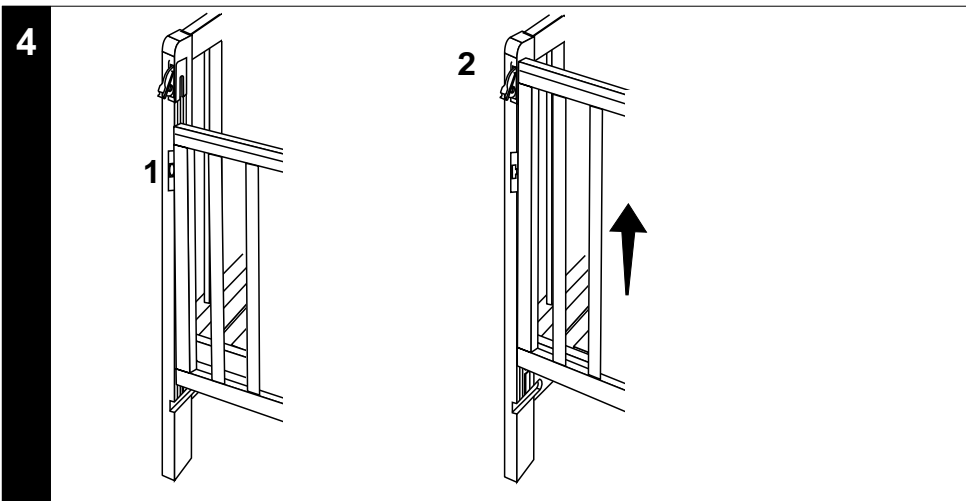
**PLEASE NOTE:** As soon as the child is capable of sitting up unaided, the mattress base **MUST** be used in the lowest position.

**As a bedside cot:** 1) Measure from the floor to the top of your bed's mattress. 2) Use the table above to choose a configuration slightly higher than that measurement. 3) Use the four long bolts and barrel nuts to attach the mattress base, taking care to use the same hole in each leg (as shown). **Tighten fully.**

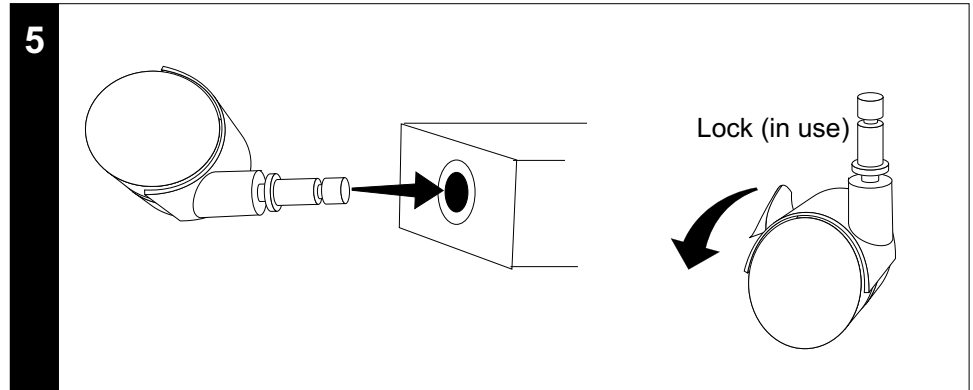
**As a stand alone cot:** Choose any of the 8 hole positions provided, and attach using the long bolts (as above). **Tighten fully.**

**3****Assembly (contd.)****Attach the drop side (1)**

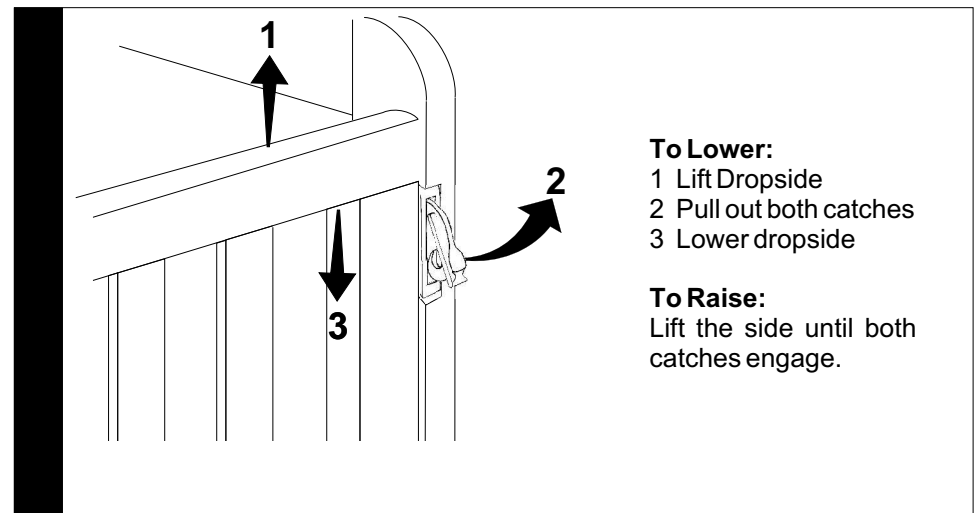
Insert the lower (metal) pins of the drop side into the upper openings in the legs (see diagram). Both pins must be inserted at the same time.

**Attach the drop side (2)**

Gently lower the side until the upper (nylon) pins align with the upper openings (1). Insert the pins and lift the side until the catches on both sides engage (2).

**4****3****Assembly (contd.)****Attach the castors**

Rest the cot on its back, and using firm pressure, push a castor into each of the holes in the bottom of the four legs. **NOTE:** There is no fixed rule about where the locking castors should be positioned, but either both on one end or both on one side is best. If the cot is to be used next to a bed, or used with the side to a wall, having both fitted on one side is easiest. **REMEMBER that while there is a child in the cot, the levers on both of the locking castors must be in the locked (DOWN) position.**

**4****In Use****Operating the drop side****To Lower:**

- 1 Lift Dropside
- 2 Pull out both catches
- 3 Lower dropside

**To Raise:**

- Lift the side until both catches engage.

**5**